
VP-29MC-M/C 5

THERMOELECTRIC PELTIER COOLED – HIGH SPEED PROGRAMMABLE DIGITAL CAMERA



VP Series cameras are thermo – electric Peltier (TEC) cooled high performance digital cameras. These cameras use cooling technology developed for, and used by, many demanding medical market customers. The TEC maintains the operating temperature of the CCD at up to 20 degrees below ambient temperature. These cameras provide a stable operating condition or the ability to expose for a long period of time to increase camera sensitivity. These cameras are ideal for industrial applications such as FPD inspection and microscopy.

VP-29MC

THERMOELECTRIC PELTIER COOLED, HIGH SPEED PROGRAMMABLE DIGITAL CAMERA

Main Features

- * Thermoelectric Peltier Cooled
- * 20 degrees below ambient temperature
- * Progressive Scan Interline Transfer CCD Imager
- * Flat Field Correction
- * Field Upgradable Firmware
- * Pixel Defect Correction

Applications

- * Flat Panel Display Inspection
- * Research and Scientific Imaging
- * Machine Vision Inspection
- * Microscopy and Metrology

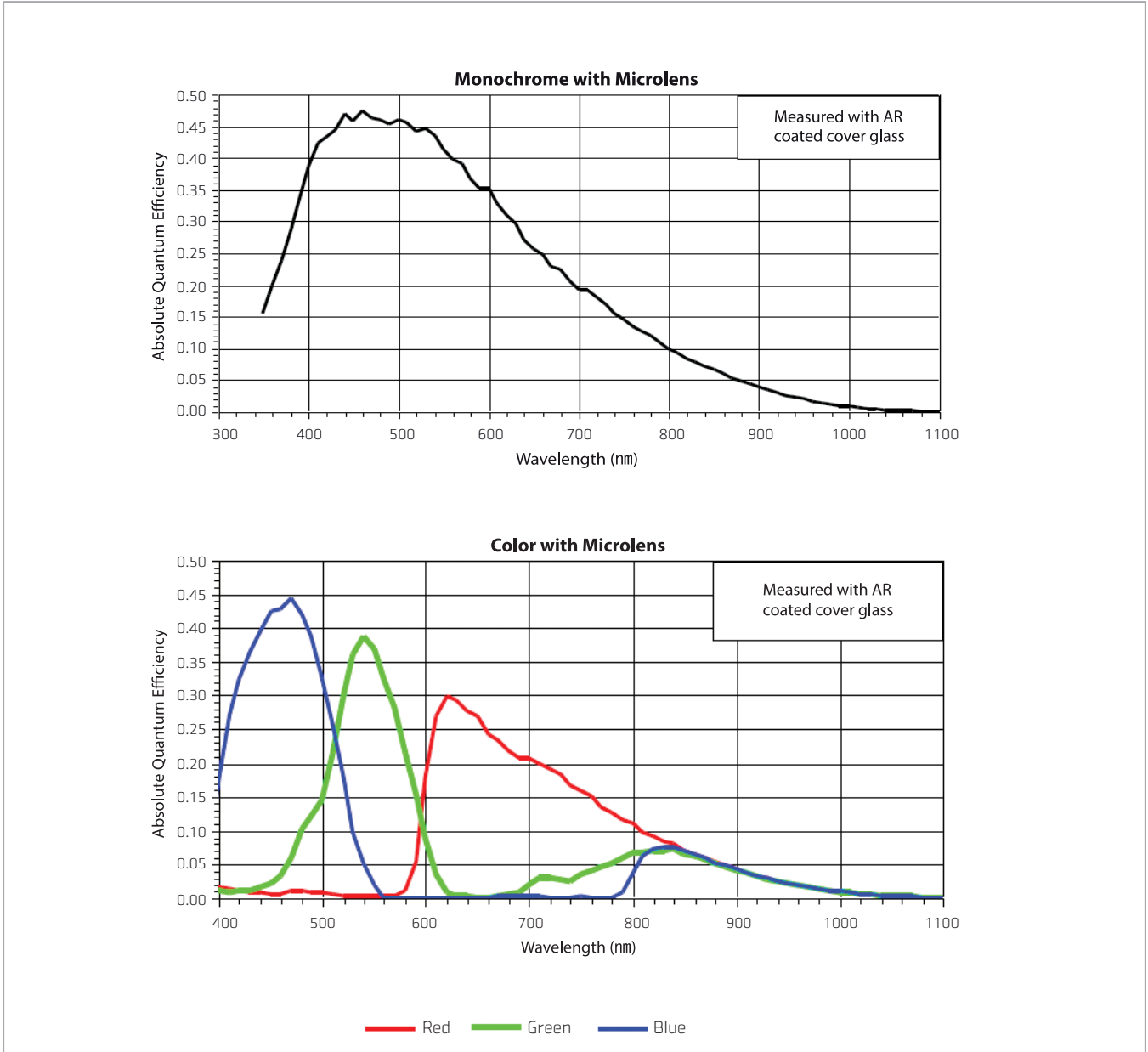
Specifications

Model	VP-29MC-M/C 5
Resolution (H × V)	6576 × 4384
Sensor (Truesense Imaging)	KAI-29050
Sensor Size (Optical Format)	35 mm
Sensor Type	Progressive Scan Interline Transfer CCD
Pixel Size	5.5 μm × 5.5 μm
Interface	Camera Link
Max. Frame Rate (40 MHz)	5 fps
Exposure Time (10 μs step)	1/100000 s – 7 s
Partial Scan (Max. Speed)	15.3 fps at 1200 Lines
Pixel Data Format	8 / 10 / 12 bit
Electronic Shutter	Global Shutter
Data Output Pixel Clock	40/80 MHz
Trigger Mode	Free-Run, Overlap, Fast, Double – Programmable Exposure Time and Trigger Polarity
Dynamic Range	62 dB
Cooling Method	Thermoelectric Peltier Cooling
Cooling Performance	20°C below ambient temperature Standard cooling with a fan
Dimension / Weight	90 mm × 90 mm × 142 mm, 1550 g (with F-mount)
Temperature	Operating: -5°C ~ 40°C Storage: -40°C ~ 70°C
Lens Mount	No mount or F-mount, Custom mount available upon request
Power	10~14 V DC, MAX. 28 W
Compliance	CE, FCC, KC
Configuration Software	Configurator

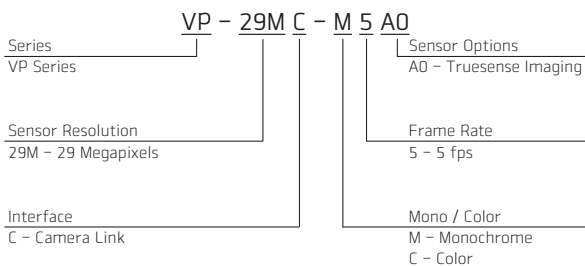
VP-29MC

THERMOELECTRIC PELTIER COOLED, HIGH SPEED PROGRAMMABLE DIGITAL CAMERA

Quantum Efficiency Curves



Ordering Scheme



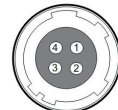
Connector Specification

Power



1 2 3: +12V DC, 4 5 6: GND
(HR10A-7R-6PB)

Control



1: Trigger IN+, 2: Trigger IN-
3: Strobe Out-(GND), 4: Strobe OUT+
(HR10A-7R-4S)

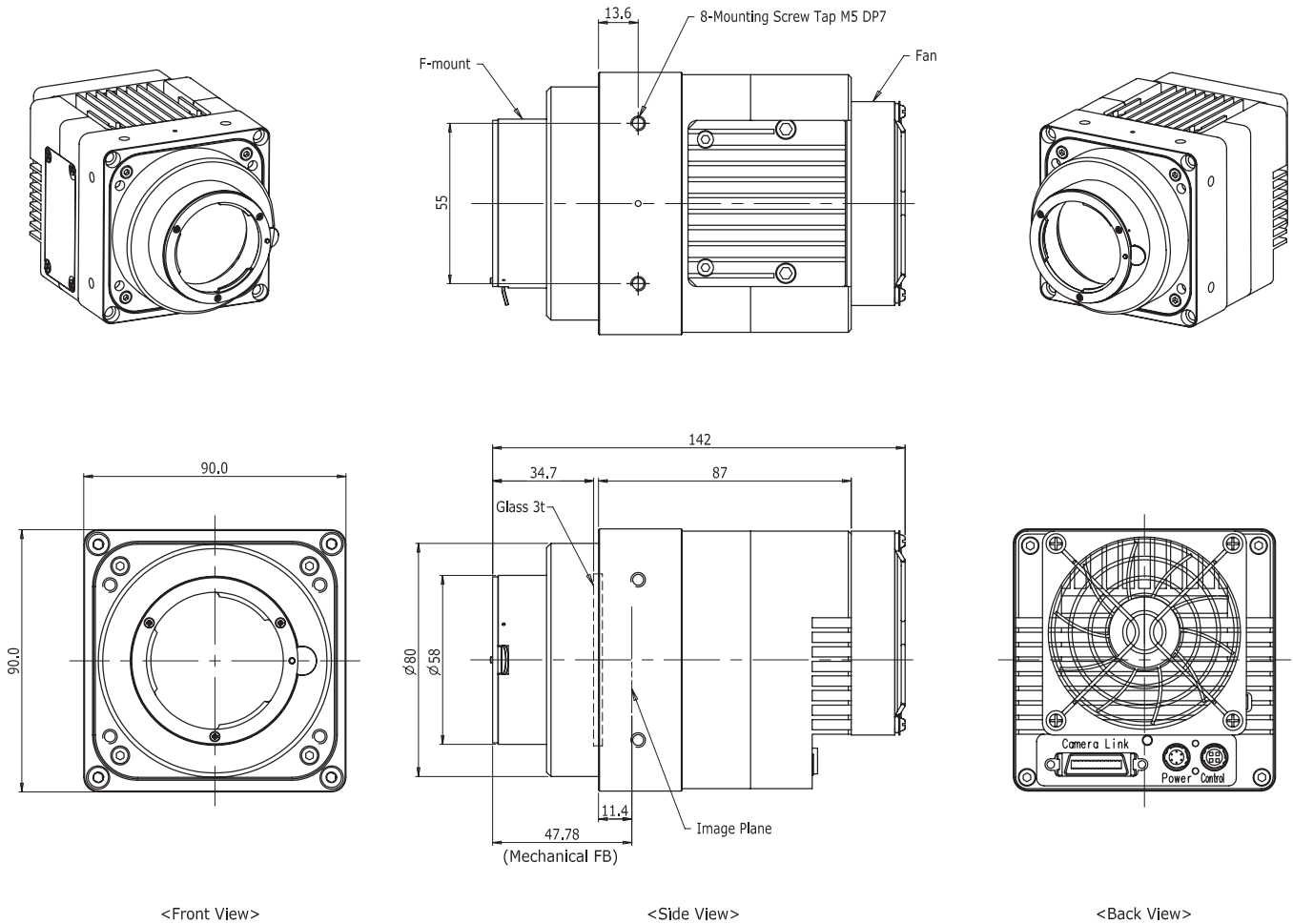
Connectors on camera body

VN-29MC

THERMOELECTRIC PELTIER COOLED, HIGH SPEED PROGRAMMABLE DIGITAL CAMERA

Mechanical Dimensions

Unit: mm



For more information please contact local distributor or visit our website at <http://www.vieworks.com>.

Reproduction in whole or in part without written permission is prohibited. Vieworks Co., Ltd. is not responsible for any technical or typographical errors and reserves the right to make changes to products, specifications and documentation without prior notice.

RA14-11A-017

VIEWWORKS

41-3, Burim-ro 170 beon-gil, Dongan-gu, Anyang-si, Gyeonggi-do, 431-060 Republic of Korea
tel +82-70-7011-6161 fax +82-31-386-8631 e-mail sales@vieworks.com

SYNCRON (주)싱크론

08381 서울시 구로구 디지털로29길, 305호 (구로동, 에이스테크노타워 3차)
T : 02-869-5461 F:02-869-5460 E-MAIL : SYNCRON@SYNCRON.CO.KR