

**3.1 Megapixel USB 2.0 Camera****Outline**

Lumenera's Lu370 and Lu375 series of megapixel cameras are designed to be used in a wide variety of industrial and security applications requiring high resolution and modest cost.

With 2048x1536 resolution and on-board processing these cameras deliver outstanding image quality and value.

Uncompressed images in live streaming video and still image capture are provided across a USB 2.0 digital interface. No framegrabber is required. Advanced camera control is available through a complete Software Developer's Kit (SDK), with sample code available to quickly integrate camera functions into OEM applications.

Hardware and software based synchronization trigger is provided standard. Enclosed (Lu375), board-level (Lu370), and color variants available. Custom form factor (sizes) can also be provided.

An experienced team of software developers and application engineers supports all Lumenera products. We understand your imaging needs and are here to help you with your integration and development.

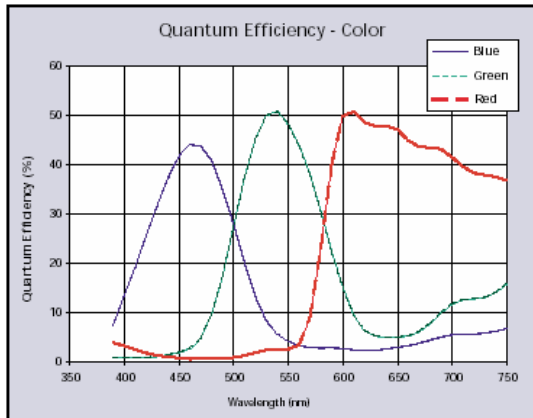
**Performance Features**

- 3.1 megapixel, color, progressive scan sensor**
- High-speed USB 2.0 (480Mbits/sec)**
- Low noise CMOS technology**
- 12 fps at full 2048x1536 resolution**  
**20 fps at 1600x1200 (sub-window)**
- Higher frame rate at lower resolution with full sub-window control**
- Auto white balance, auto exposure**
- Snapshot mode for use with strobe**
- GPI/Os for control of peripherals and synchronization of lighting (4in/4out)**
- FCC Class B, CE Ready**
- RGB Bayer video output**
- Select 8 or 10-bit pixel data**
- Simplified cabling - video, power and full camera control over a single USB cable**
- C-Mount provided**
- DirectShow compatible**
- USB cameras are software compatible with Windows™ 98 SE, Windows ME, Windows 2K, Windows XP, and Windows Vista operating systems**
- Complete SDK available**
- Full one (1) year warranty**

# Specifications

# Lu370/Lu375

Image Sensor	1/2" format, color, 6.5mm x 4.9mm array
Effective Pixels	2048 x 1536, 3.2um square pixels
Frame Rate	12 fps at 2048x1536, 20 fps at 1024x768 (sub-sampled)
Sensitivity	High
Dynamic Range	60dB
Auto Exposure	Automatic / Manual
White Balance	Automatic / Manual
Dimensions (W x H x D)	2.00 x 2.50 x 1.63 inches (board level) 2.25 x 3.85 x 1.56 inches (enclosed)
Mass	~150g / 300g
Power Requirement	USB bus power, or external 6VDC, 500mA
Power Consumption	~3.0 Watts
Operating Temperature	0°C to +50°C
Operating Humidity	5% - 95%, Non-condensing
Interface Connector	Standard USB
Lens Mount (Lens not included)	C-Mount (CS-Mount option)



## Ordering Information

- Lu370C – Color Camera Module
- Lu375C – Enclosed Color Camera
- LuSDK – Software Developer's Kit

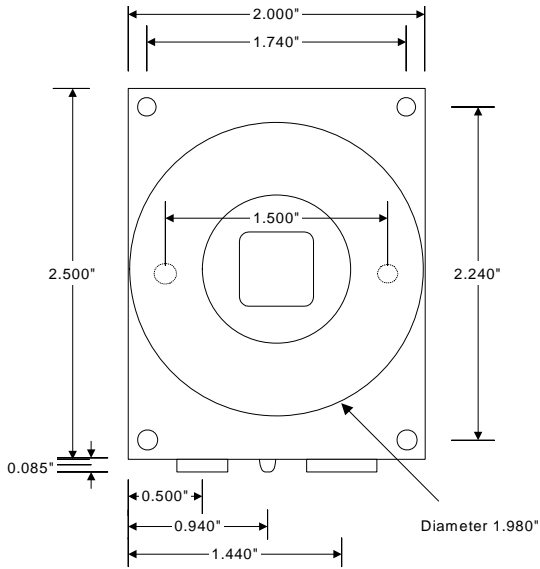
**Full customization available to meet your exact needs!**

### Available Options:

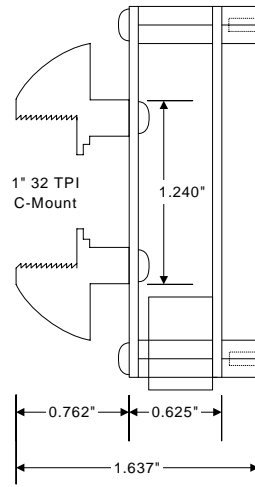
- Without Standard IR-Cut Filter
- Without Glass
- Without Mount
- Board Level
- Adjustable CS-Mount

Contact us for more specific details.

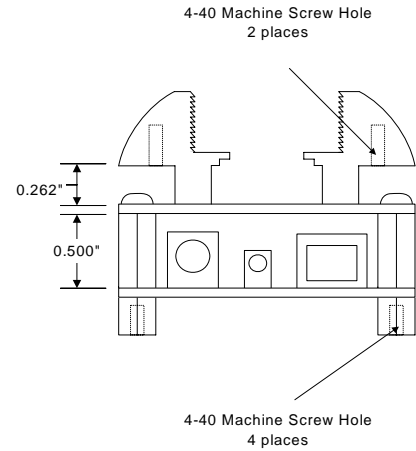
## OEM Board-Level Camera



Front



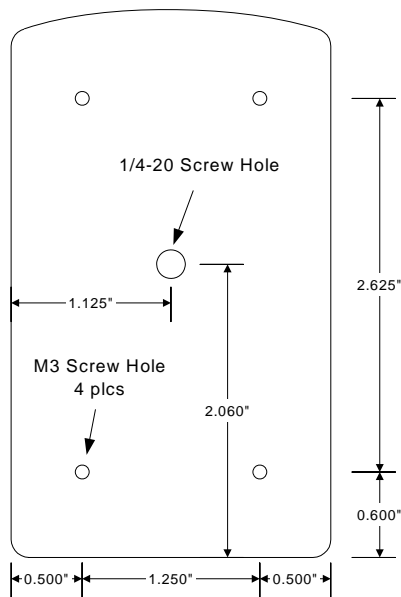
Side



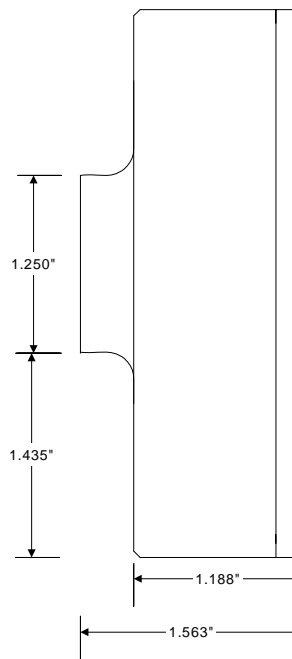
Bottom

## Enclosed Camera \*

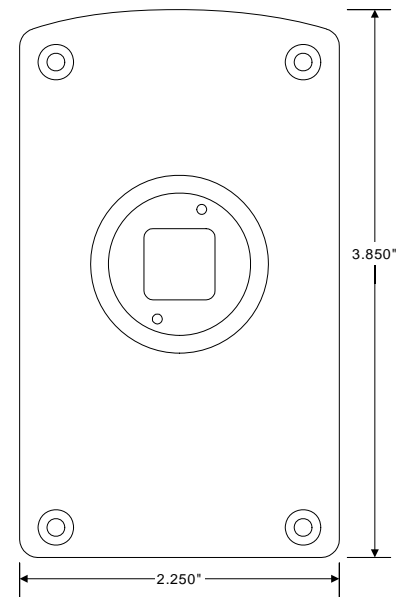
Back



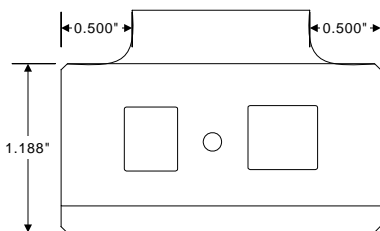
Side



Front



Bottom



\* Anodized aluminum, std color - black