

2.0 Megapixel USB 2.0 Camera**Outline**

Lumenera's Lw230 and Lw235 series of megapixel cameras are designed to be used in a wide variety of applications, particularly in low-light conditions. Both color and monochrome product models are available.

With 1616x1216 resolution and on-board processing these cameras deliver outstanding image quality and value for industrial and scientific imaging applications.

Electronic Global Shutter provides capabilities similar to a mechanical shutter, allowing simultaneous integration of the entire pixel array. Ideal for capturing objects in high-speed motion.

Uncompressed images in live streaming video and still image capture are provided across a USB 2.0 digital interface. No framegrabber is required. Advanced camera control is available through a complete Software Developer's Kit (SDK), with sample code available to quickly integrate camera functions into OEM applications.

Hardware and software based synchronization trigger is provided standard. Camera models are offered in both enclosed (Lw235) and (Lw230) board-level form. Custom form factor (sizes) can be provided.

All Lumenera products are supported by an experienced team of software developers and application engineers. We understand your imaging needs and are here to help you with your integration and development. Products come with a full one (1) year warranty.

Stable, reliable camera drivers for running multiple cameras on a PC or other USB devices.

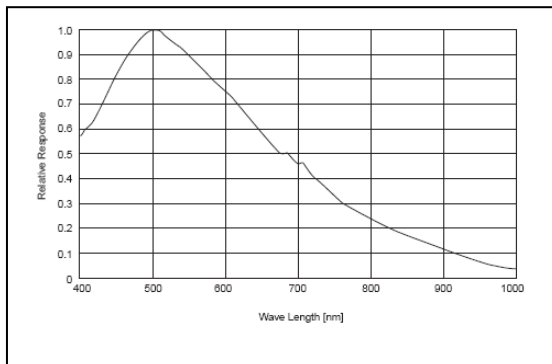
Performance Features

- High quality CCD sensor
- Excellent sensitivity with high color reproductivity
- Color or monochrome, interline transfer progressive scan, 2.0 megapixel CCD sensor
- High-speed USB 2.0 (480Mbits/sec)
- 12 fps at full 1616x1216 resolution, 30 fps at smaller regions of interest
- Global shutter for capturing fast moving objects and strobe lighting
- GPIOs for control of peripherals and synchronization of lighting (4in/4out)
- FCC Class B, CE Ready
- RGB Bayer video output
- Select 8 or 12-bit pixel data
- Simplified cabling - video and full camera control over a single USB cable
- C-Mount provided
- DirectShow compatible
- USB cameras are software compatible with Windows XP AND Windows Vista 64 and 32-bit operating systems
- Complete SDK available

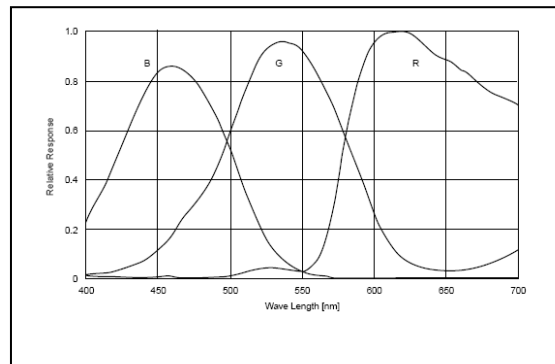
Specifications

Lw230/Lw235

Image Sensor	1/1.8" format, color or monochrome, 7.1mm x 5.4mm array
Effective Pixels	1616x1216, 4.40µm square pixels
Frame Rate	12 fps at 1616x1216
Sensitivity	High
Exposure	Auto / Manual
White balance	Auto / Manual
Dynamic Range	60dB
Dimensions (W x H x D)	2.00 x 2.50 x 1.63 inches (board level) 2.25 x 3.85 x 1.56 inches (enclosed)
Mass	~150g / 300g
Power Requirement	USB bus power, external 5 VDC 500mA
Power Consumption	~2.5 Watts
Operating Temperature	0°C to +50°C
Operating Humidity	5%-95%, Non-condensing
Interface Connector	Standard USB cable
Lens Mount (Lens not included)	C-Mount (CS-Mount option)



Mono Response Curve



Color Response Curve

Full customization available to meet your exact needs!

Available Options:

- Without Standard IR-Cut Filter
- Without Glass
- Without Mount
- Board Level
- Adjustable CS-Mount

Contact us for more specific details.

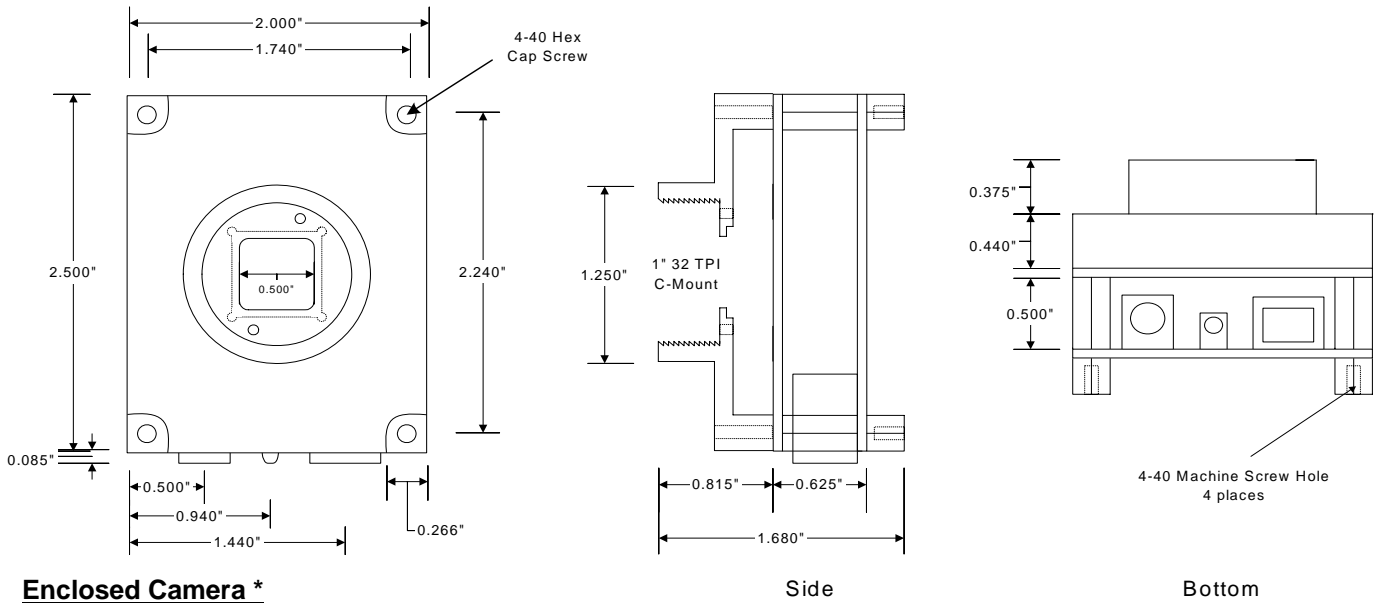
Ordering Information

- Lw230M – Monochrome Camera Module
- Lw230C – Color Camera Module

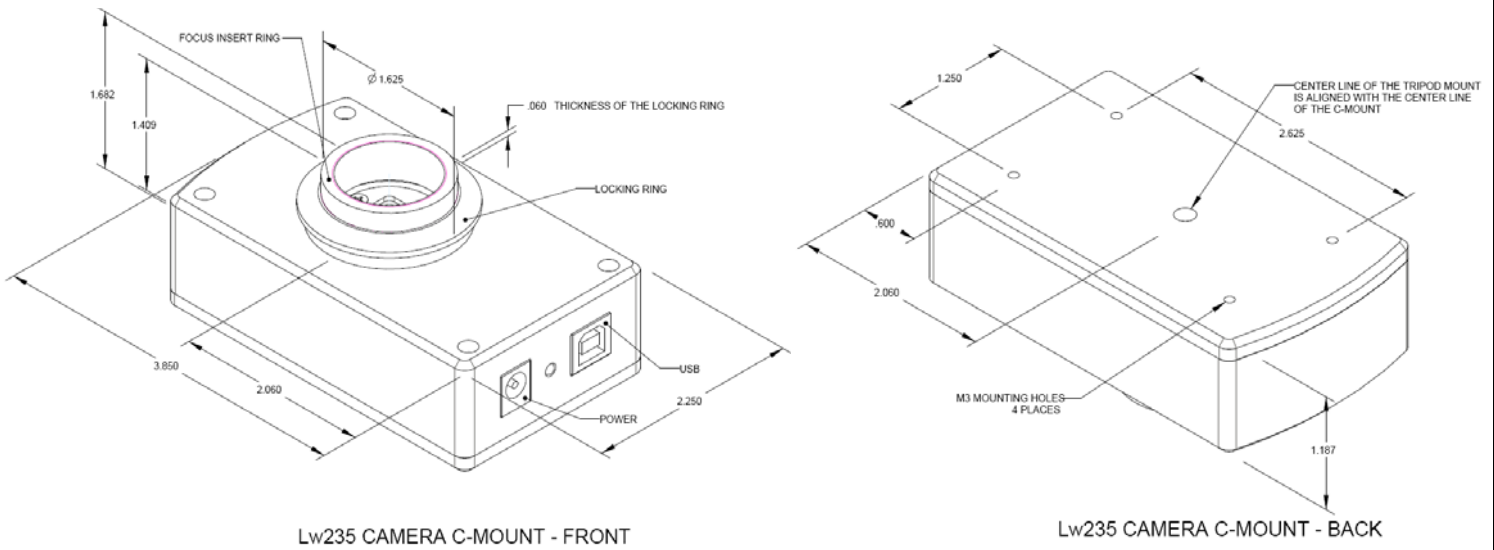
- Lw235M – Enclosed Monochrome Camera
- Lw235C – Enclosed Color Camera

- LuSDK – Developer's Kit and Accessories

OEM Board-Level Camera



Enclosed Camera *



* Anodized aluminum, std color - black