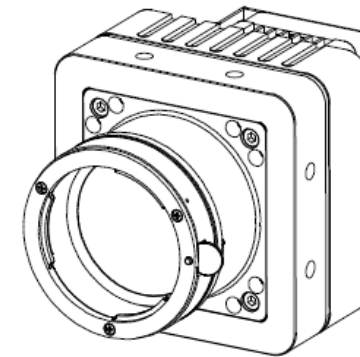
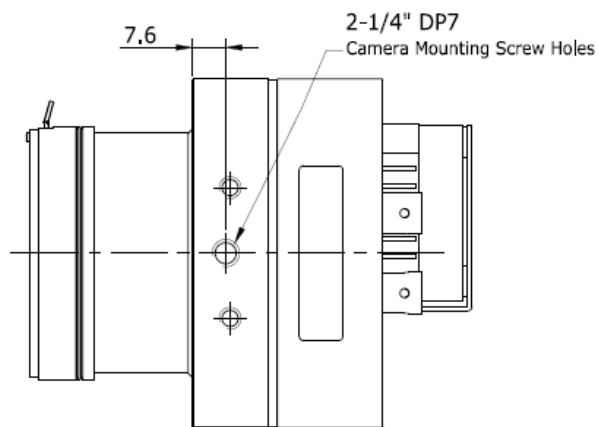
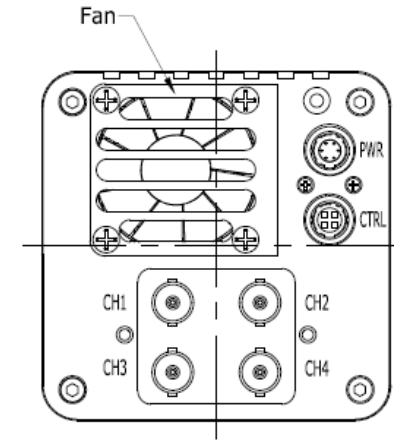
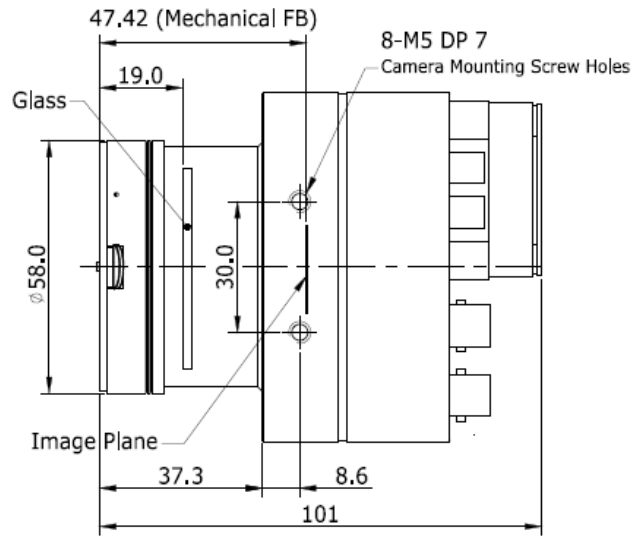
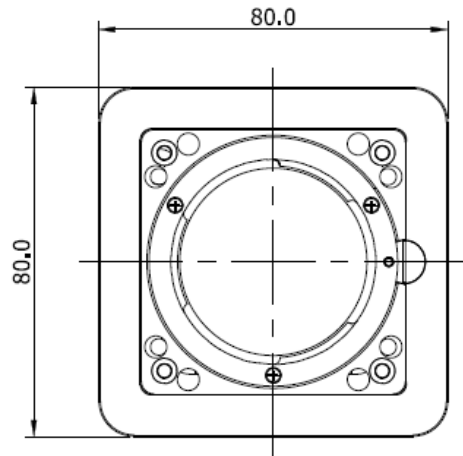
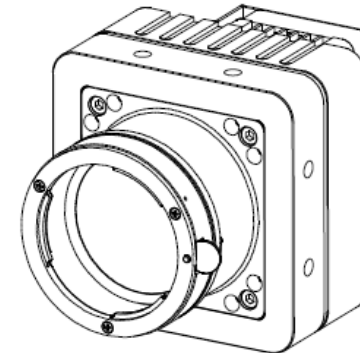
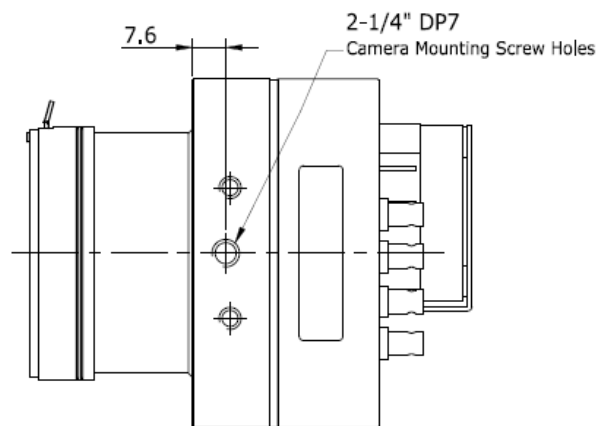
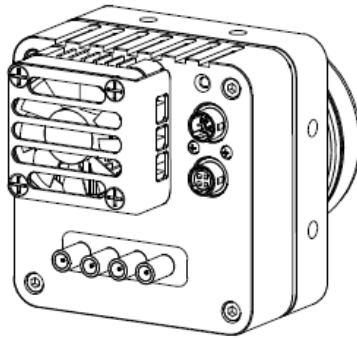
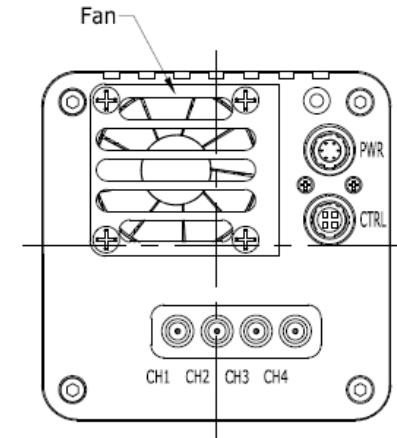
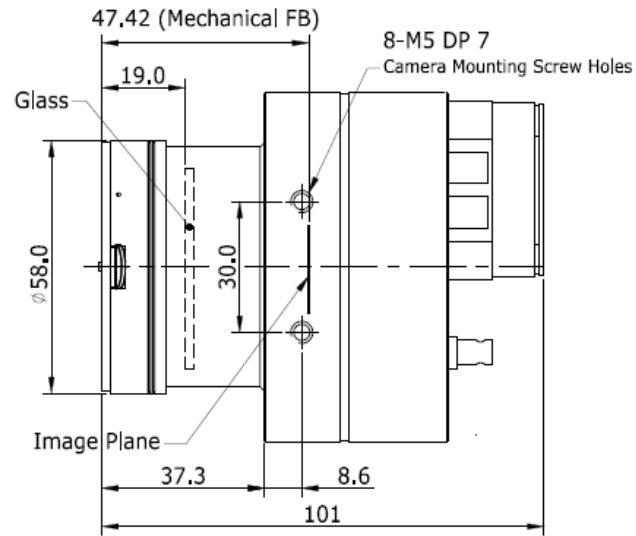
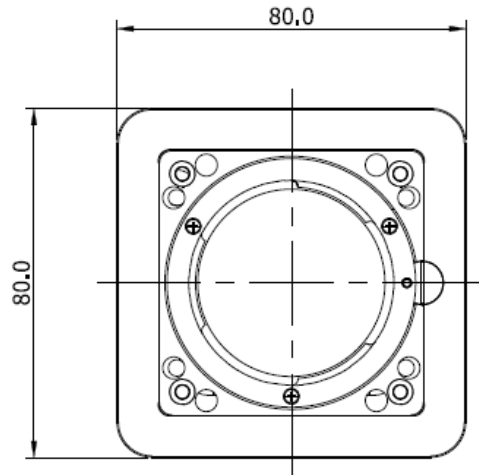


UNIT	ITEM	REVISION	1.2
mm	VC-12/25MX-BNC-FM-V1.2		14,10,27



MODEL NAME	
Lens Mount: F-mount	
1	VC-12MX-M/C
2	VC-25MX-M/C



MODEL NAME	
Lens Mount: F-mount	
1	VC-12MX-M/C
2	VC-25MX-M/C