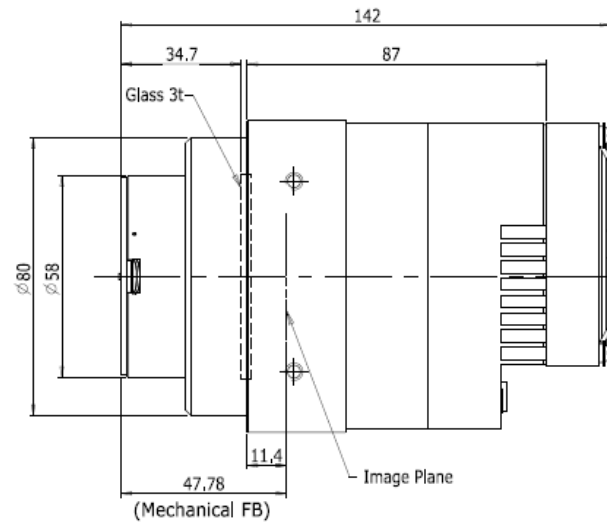
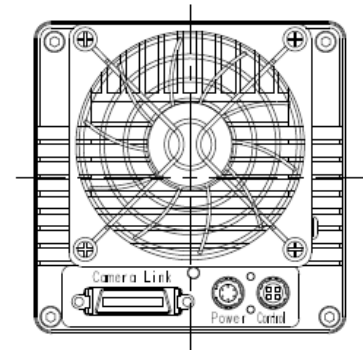


<Front View>



<Side View>



<Back View>

MODEL NAME	
Lens Mount: F-mount	
1	VP-8MC-M/C
2	VP-16MC-M/C
3	VP-29MC-M/C