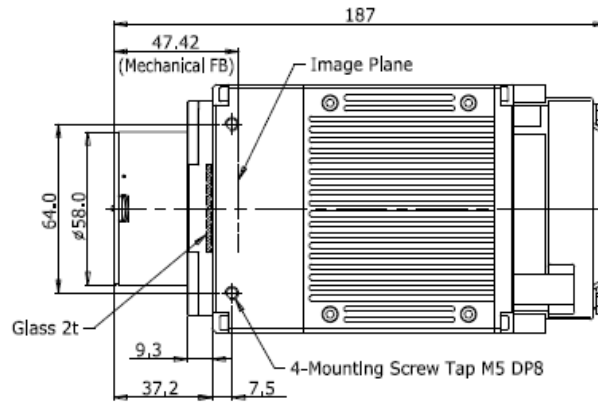
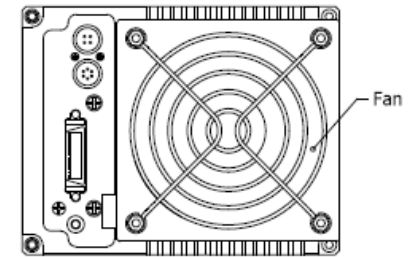


<Front View>



<Side View>



<Back View>

MODEL NAME

Lens Mount: F-mount

1	VNP-29MC-M/C
---	--------------