

VC-21MX2-M/C230I

The Fastest Speed & High Resolution CMOS Digital Camera
with CoaXPress 2.0 Interface



The VC-21MX2-M/C230I camera is Vieworks' first camera with the CoaXPress 2.0 interface that offers 230 frames per second at 5120 × 4096 resolution. Equipped with the Vieworks' innovative technologies proved by world's top FPD manufacturers, this camera offers not only fast frame rates but also highly uniformed images. Its CoaXPress 2.0 interface supports transmitting image data at up to 50 Gbps using four coaxial cables. Featured with high speed and high performance, the VC-21MX2-M/C230I camera is an excellent choice for applications that require high data rates and resolutions, such as FPD, PCB and semiconductor inspections.

For wide range of choice, Vieworks provides this amazing product in two different types, the fan type and the heat sink type, with the same specification.

VIEWORKS

vision.vieworks.com

Main Features

- High Speed 21 Megapixel CMOS Image Sensor
- CoaXPress 2.0 Interface up to 230 fps at 50 Gbps using 4 CH
- Global Shutter CMOS Technology
- DSNU and PRNU Correction
- Flat Field Correction
- Defective Pixel Correction
- GenICam Compatible – XML based Control

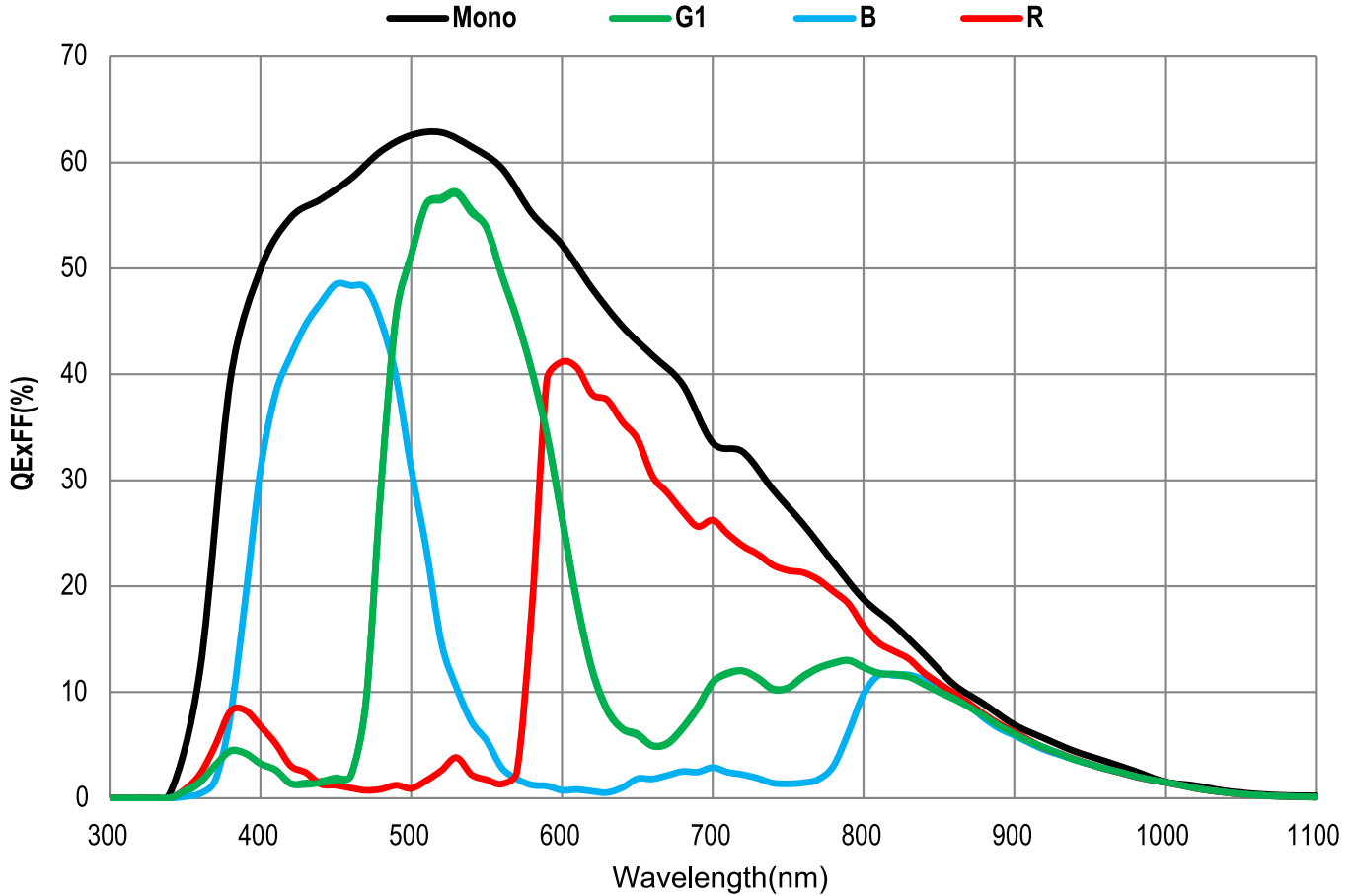
Applications

- FPD and Electronics Inspection
- Semiconductor Inspection
- Research and Scientific Imaging
- Document / Film Scanning

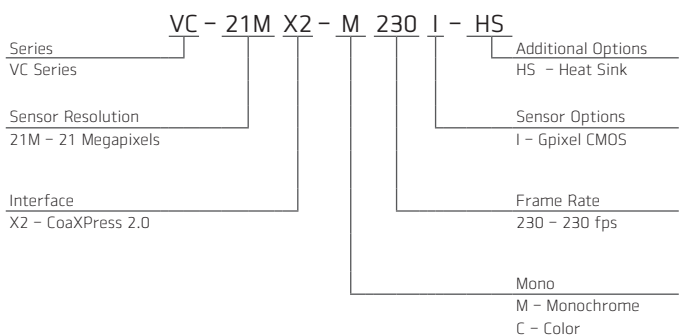
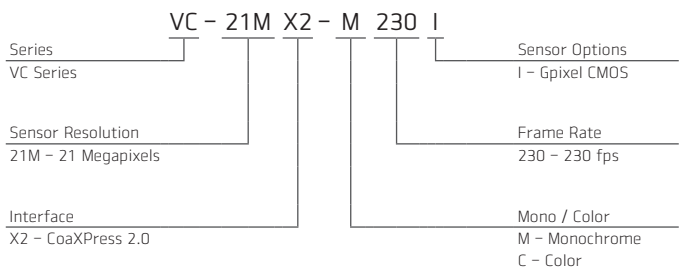
Specifications

Model		VC-21MX2-M/C230I	VC-21MX2-M/C230I-HS
Resolution (H × V)		5,120 × 4,096	
Sensor		GSPRINT 4521	
Optical Format (Diagonal)		23.04 mm × 18.43 mm (29.5 mm)	
Sensor Type		High Speed CMOS Image Sensor	
Pixel Size		4.5 μm × 4.5 μm	
Interface		CoaXPress 2.0 (CXP-12)	
Max. Frame Rate (8 bit)	CXP-12 × 1	56 fps	
	CXP-12 × 2	114 fps	
	CXP-12 × 4	229 fps	
Exposure Time		4 μs – 60 s	
Partial Scan (Max. Speed)		10011.7 fps at 32 Lines	
Pixel Data Format	Mono	Mono 8/10/12 bit	
	Color	GB Bayer 8/10/12 bit	
Electronic Shutter		Global Shutter	
Gain Control	Analog	1.0×, 1.3×, 2.0×, 4.2×	
	Analog(Sensor Binning 2×2)	1.0×, 1.4×, 2.0×, 3.0× (Mono only)	
	Digital	1× ~ 32×	
Black Level Control		0 – 255 LSB at 12 bit	
Trigger Synchronization		Free-Run, Hardware Trigger, Software Trigger or CXP	
External Trigger		3.3 V ~ 24.0 V, 10 mA, Logical Level Input, Optically Isolated	
Software Trigger		Asynchronous, Programmable via Camera API	
Dynamic Range		Typ. 68 dB at 12 bit	
Dimension / Weight		80 mm × 80 mm × 104.5 mm, 750 g (F-mount)	80 mm × 80 mm × 111 mm, 700 g (F-mount)
Temperature		Operating: 0°C ~ 40°C, Storage: -40°C ~ 70°C	
Lens Mount		F-mount, Custom mount available upon request	
Power	External	12 ~ 24 VDC	
	Dissipation	Typ. 27.5 W	
	PoCXP	24 VDC, Minimum of two PoCXP cables required	
Compliance		CE, FCC, KC	

Spectral Response



Ordering Scheme



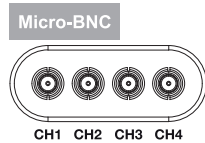
Connector Specification

Power / Control



- 1: DC Ground
- 2: +12 VDC
- 3: I/O Output-
- 4: I/O Output1+
- 5: Trigger IN-
- 6: Trigger IN+
- 7: I/O Output2+
- 8: I/O Output3+
- 9: I/O Output4+
- 10: I/O Output5+
- 11: I/O Output6+
- 12: Not Connected (HR10A-10R-12PB)

Data Transfer / Communications



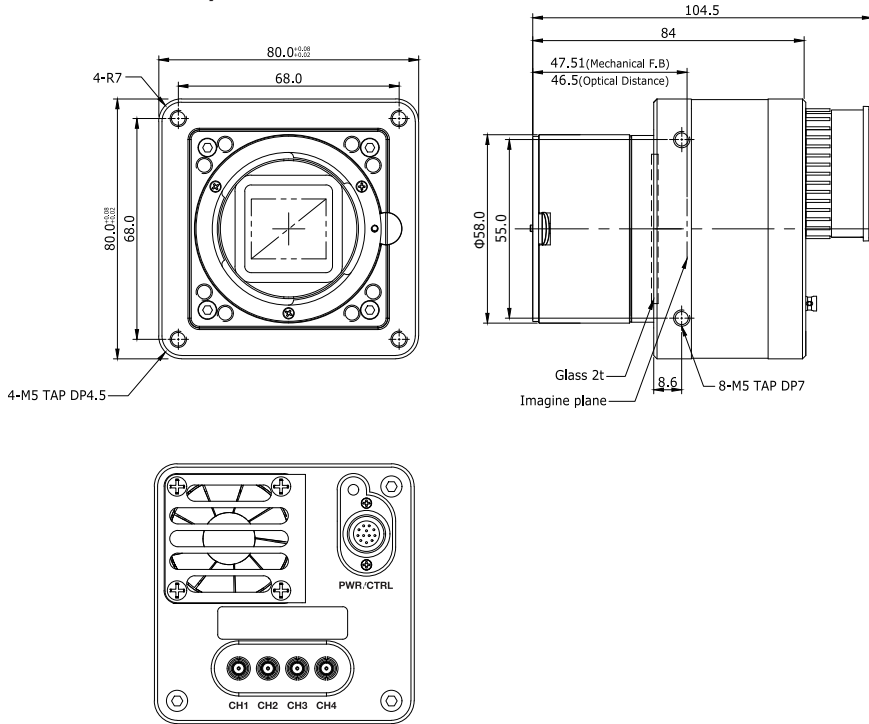
- CH1: Master Connection Micro-BNC (HD-BNC)

Connectors on camera body

Mechanical Dimensions

Unit: mm

VC-21MX2-M/C230I



VC-21MX2-M/C230I-HS

