

VC-50MX

50 MEGAPIXEL CMOS DIGITAL CAMERA WITH COAXPRESS INTERFACE



The VC-50MX, the latest member of the industrial proven VC series, is a 50 megapixel resolution CMOS camera with the CoaXPress interface. The VC-50MX uses the latest 50 megapixel CMOS image sensor (CMV50000) technology from AMS CMOSIS, and offers up to 30.9 frames per second at 7920 × 6004 resolution. Equipped with the Vieworks' innovative technologies proved by world's top FPD manufacturers, the VC-50MX camera offers not only highly uniformed images but also high speed image processing capabilities. Featured with high quality image uniformity and high resolution, this camera is ideal for demanding applications such as FPD, PCB and semiconductor inspections.

VC-50MX

50 MEGAPIXEL CMOS DIGITAL CAMERA WITH COAXPRESS INTERFACE

Main Features

- * 50 Megapixel Resolution (AMS CMOSIS)
- * High Speed Progressive Scan CMOS Imager
- * Global Shutter CMOS Technology
- * CoaXPress Interface up to 30 fps at 25 Gbps using 4 CH
- * Pixel Defect Correction
- * Flat Field Correction
- * DSNU and PRNU Correction

Applications

- * Flat Panel Display Inspection
- * PCB Inspection
- * Machine Vision Inspection
- * Microscopy and Metrology

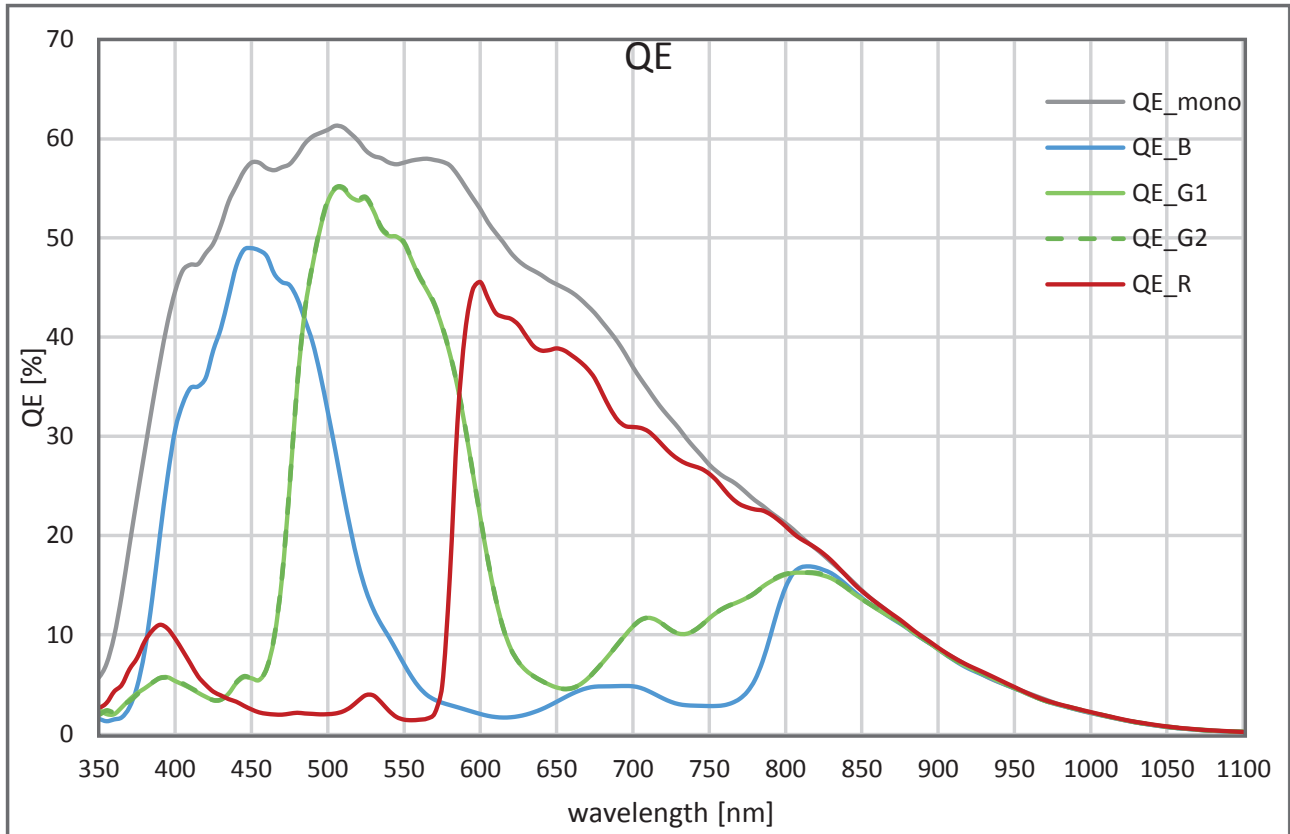
Specifications

Model	VC-50MX-M/C 30		
Resolution (H × V)	7920 × 6004		
Sensor	AMS CMOSIS CMV 50000		
Sensor Size (Optical Diagonal)	35 mm (45.72 mm)		
Sensor Type	High Speed CMOS Image Sensor		
Pixel Size	4.6 μm × 4.6 μm		
Interface	CoaXPress		
Max. Frame Rate	1CH: 7.7 fps @ 6.25 Gbps	2CH: 15.5 fps @ 6.25 Gbps	4CH: 30.9 fps @ 6.25 Gbps
Exposure Time (1 μs step)	1 μs – 60 s		
Partial Scan (Max. Speed)	3968 fps at 4 Lines		
Pixel Data Format	Mono	Mono 8 / Mono 10 / Mono 12	
	Color	BG Bayer 8 / BG Bayer 10 / BG Bayer 12	
Electronic Shutter	Global Shutter		
Exposure Mode	Free-Run, Timed and Trigger Width		
Dynamic Range	64 dB		
Gain Control	1 × ~ 30 × (1/1024 step)		
Black Level Control	0 ~ 256 LSB at 12 bit (1 LSB step)		
Dimension / Weight	80 mm × 80 mm × 112 mm, 760 g		
Temperature	Operating: -5°C ~ 40°C, Storage: -40°C ~ 70°C		
Vibration / Shock	3G (20 ~ 200 Hz) XYZ / 10G 6 ms		
Lens Mount	F-mount, Custom mount available upon request		
Power	External	10 ~ 24 V DC, Typ. 12.0 W	
	PoCXP	24 V DC, Minimum of two PoCXP cables required	
Compliance	CE, FCC, KC		
API SDK	Vieworks Imaging Solution 7.X		

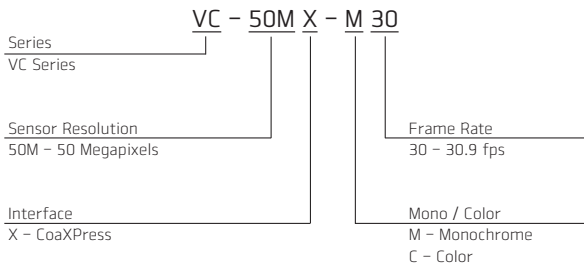
VC-50MX

50 MEGAPIXEL CMOS DIGITAL CAMERA WITH COAXPRESS INTERFACE

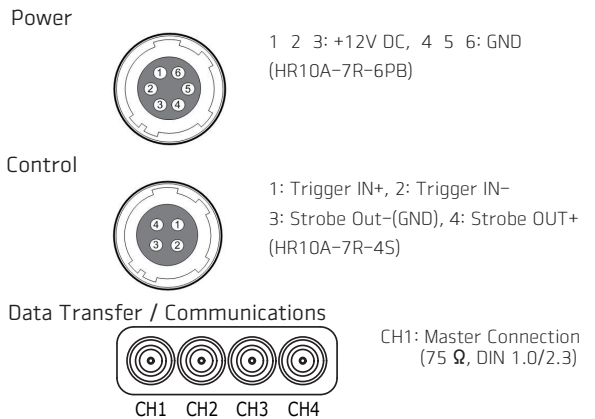
Quantum Efficiency Curves



Ordering Scheme



Connector Specification



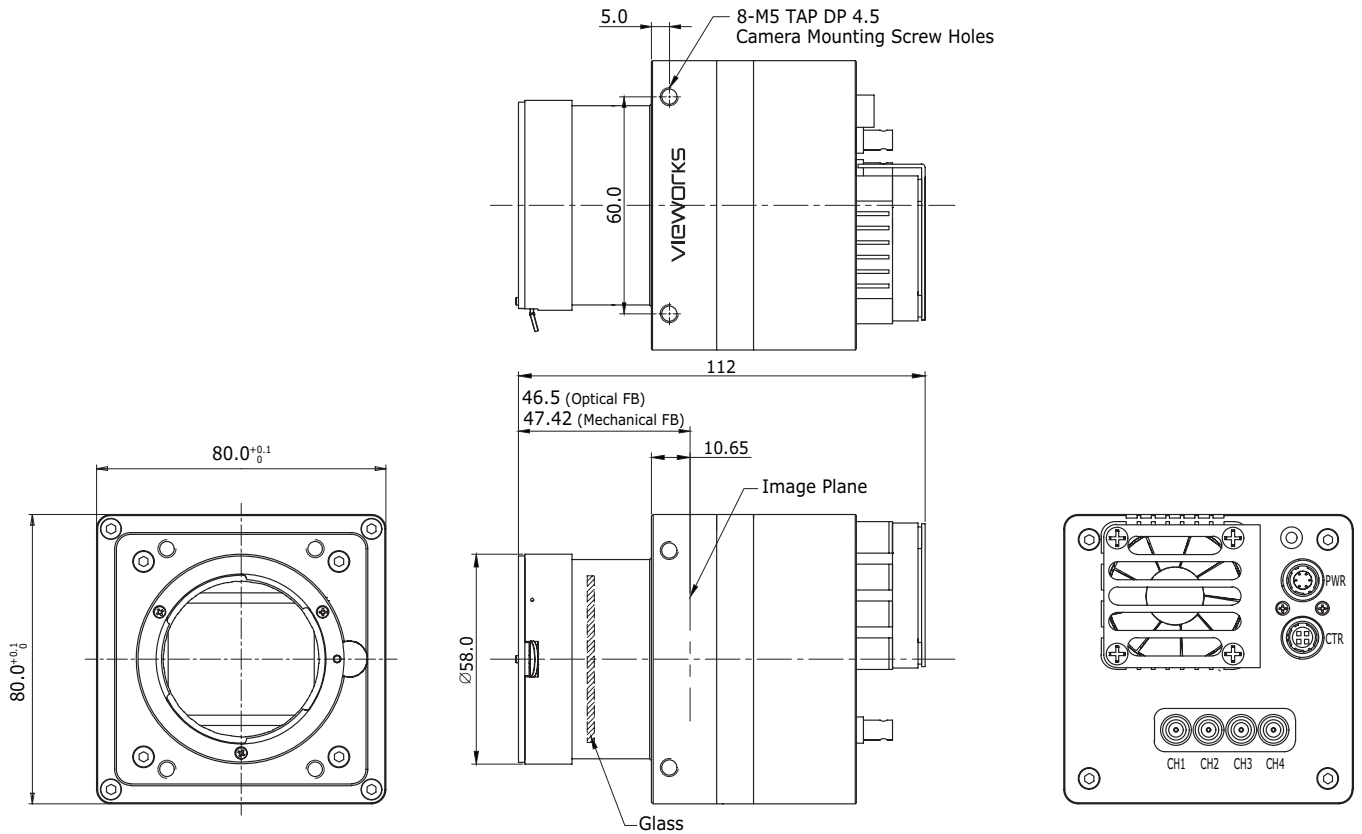
Connectors on camera body

VC-50MX

50 MEGA PIXEL CMOS DIGITAL CAMERA WITH COAXPRESS INTERFACE

Mechanical Dimensions

Unit: mm



For more information please contact local distributor or visit our website at <http://www.viewworks.com>.

Reproduction in whole or in part without written permission is prohibited. Viewworks Co., Ltd. is not responsible for any technical or typographical errors and reserves the right to make changes to products, specifications and documentation without prior notice.

D-18-113

VIEWWORKS

41-3, Burim-ro 170 beon-gil, Dongan-gu, Anyang-si, Gyeonggi-do, 14055 Republic of Korea
tel +82-70-7011-6161 fax +82-31-386-8631 e-mail sales@viewworks.com