

VQ Series

Ultra-Compact and Cost-Effective CMOS Cameras

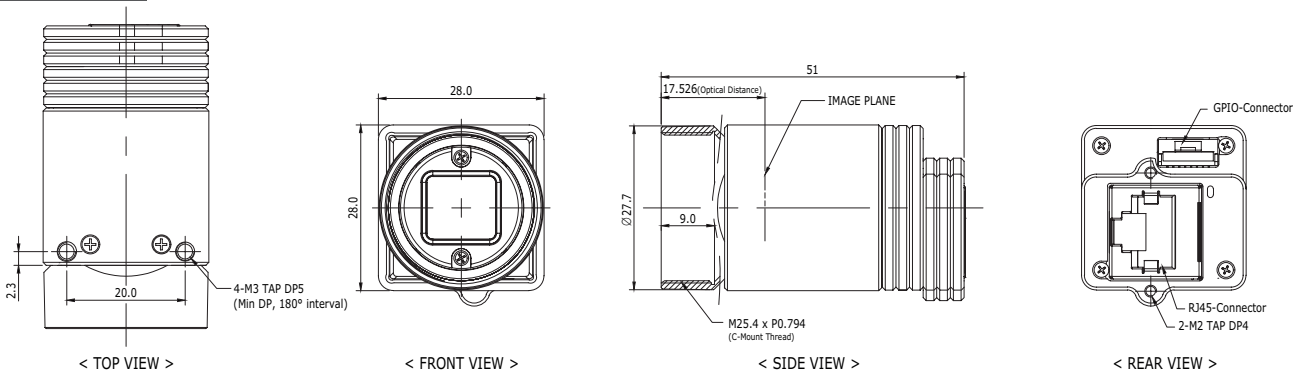
Applications

- Industrial Inspection – Wafer, Flat Panel Display, Solar Panel, etc.
- Food Sorting and Inspection
- Microscopy

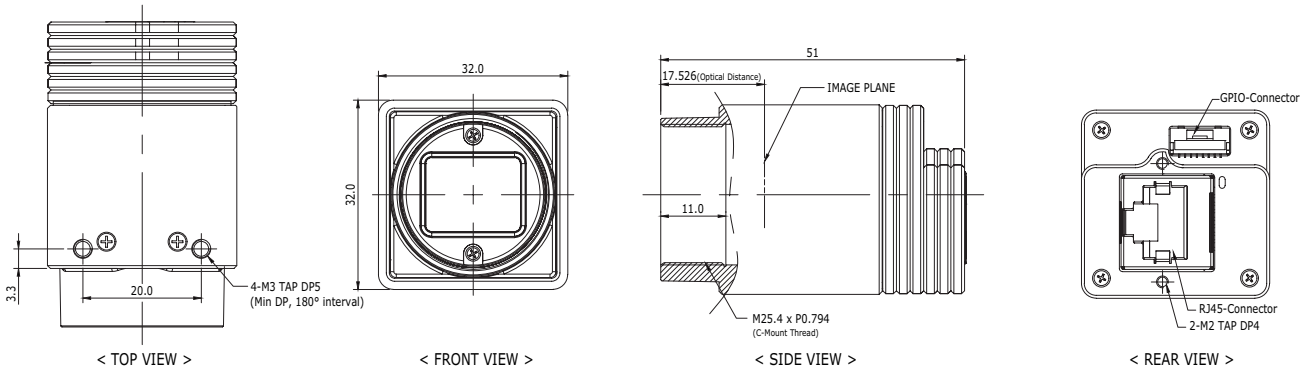
Mechanical Dimensions

Unit: mm

VQ-400G2-M/C 291 H
 VQ-1600G2-M/C 77 H
 VQ-2MG2-M/C 52 H
 VQ-3MG2-M/C 38 H
 VQ-5MG2-M/C 24 H



VQ-12MG2-M/C 10 H
 VQ-20MG2-M/C 6 H



VQ Series

Ultra-Compact and Cost-Effective CMOS Cameras



Specifications

Model	Resolution	Frame Rate	Interface	Optical Format	Sensor	Pixel Size
VQ-400G2-M/C 291 H	728 × 544	291 fps	GigE	1/2.9"	Sony IMX287	6.90 μm × 6.90 μm
VQ-1600G2-M/C 77 H	1440 × 1080	77 fps	GigE	1/2.9"	Sony IMX273	3.45 μm × 3.45 μm
VQ-2MG2-M/C 52 H	1920 × 1200	52 fps	GigE	1/2.3"	Sony IMX392	3.45 μm × 3.45 μm
VQ-3MG2-M/C 38 H	2048 × 1536	38 fps	GigE	1/1.8"	Sony IMX265	3.45 μm × 3.45 μm
VQ-5MG2-M/C 24 H	2448 × 2048	24 fps	GigE	2/3"	Sony IMX264	3.45 μm × 3.45 μm
VQ-12MG2-M/C 10 H	4096 × 3000	9.9 fps	GigE	1.1"	Sony IMX304	3.45 μm × 3.45 μm
VQ-20MG2-M/C 6 H	5472 × 3648	6 fps	GigE	1"	Sony IMX183	2.40 μm × 2.40 μm

VIEWORKS

www.vieworks.com