

VX-25MG-M 5

Aerial Imaging / Surveillance Camera



The VX-25MG-5 camera is ideal for aerial imaging and ground surveillance applications which require Photographic Quality resolution and easy-to-use system integration. The VX-25MG-5, the new member of the VX series, uses the industrial proven CMOS image sensor technology and performs as fast as 5 fps with 25 million pixel resolution. Taking pictures with this camera is made easy with features such as; auto exposure, auto gain, auto focus, lens aperture control, and several innovative features to manage network bandwidth when connecting multiple cameras together on a gigabit Ethernet network.

VIEWORKS

www.vieworks.com

VX-25MG-M 5

Aerial Imaging / Surveillance Camera

Main Features

- 25 Megapixel Resolution (ON Semiconductor)
- Extended Operating Temperature: -50°C ~ 80°C
- Auto Controls (Exposure, Gain, Aperture, Focus)
- Canon-EF Adapter Control
- Pixel Defect Correction
- Non-uniformity Correction (DSNU and PRNU)
- IEEE 802.3 (Pause Frame Control) and Inter-packet Delay
- Internal Frame Buffer
- Stream Hold

Applications

- Aerial Imaging
- Ground Surveillance
- Research and Scientific Imaging

Specifications

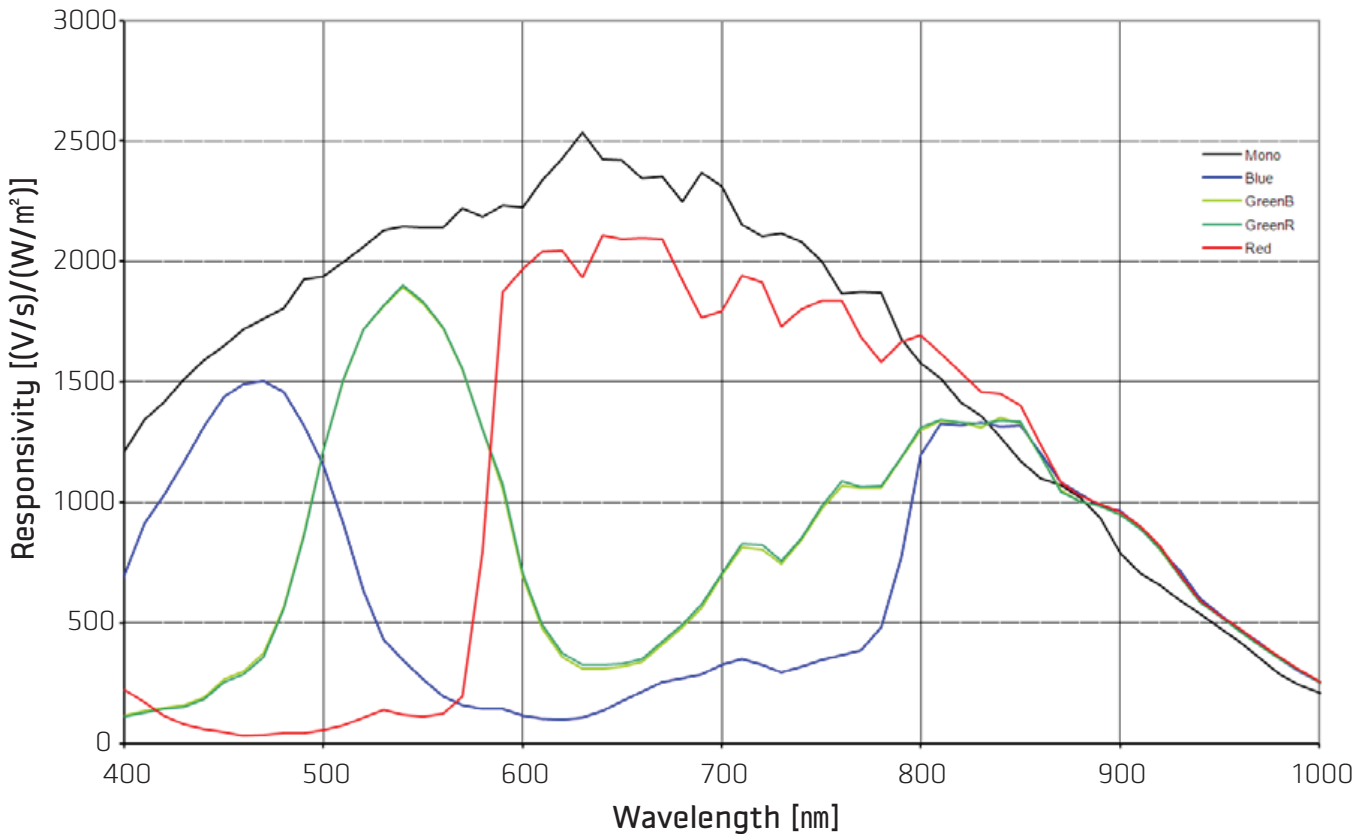
Model	VX-25MG-M 5	
Resolution (H × V)	5120 × 5120	
Sensor	ON Semiconductor VITA-25K	
Sensor Size (Optical Format)	23.04 mm × 23.04 mm (35 mm)	
Sensor Type	High Speed CMOS Image Sensor	
Pixel Size	4.5 μm × 4.5 μm	
Sensor Output	32 CH LVDS	
Interface	Gigabit Ethernet	
Max. Frame Rate	4.7 fps / 25 fps (Burst Mode)	
Exposure Time	1/1,000,000 – 60 s	
Partial Scan (Max. Speed)	13,888 fps at 1 Line (H: 256)	
Pixel Data Format	8 bit	
Electronic Shutter	Global Shutter	
Trigger Synchronization	Free-Run, Hardware Trigger or Software Trigger	
Dynamic Range	54 dB	
Binning	1 ×, 2 × (Horizontal and Vertical Independent)	
Black Level Control	0 ~ 16 LSB (16 steps)	
Gain Control	Digital Gain: 1.0 × ~ 4.0 × (1/128 step)	
Camera Image Memory	2 Gb	
Dimension / Weight	68 mm × 68 mm × 80 mm / 420 g (with F-mount) 68 mm × 68 mm × 77 mm / 578 g (with Canon-EF Adapter)	
Temperature	Operating: -50°C ~ 80°C, Storage: -50°C ~ 90°C	
Vibration / Shock	10G (20 ~ 200 Hz) XYZ / 70G 10 ms	
Lens Mount	F-mount or Interface for Canon-EF Adapter	
Power	External	10 ~ 36 V DC
	Dissipation	Typ. 7.5 W
Compliance	CE, FCC, KC	
API SDK	Vieworks Imaging Solution 7.X	

VX-25MG-M 5

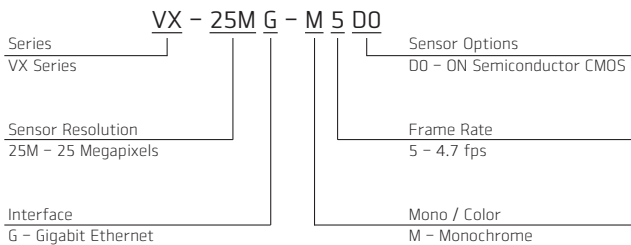
Aerial Imaging / Surveillance Camera

Quantum Efficiency

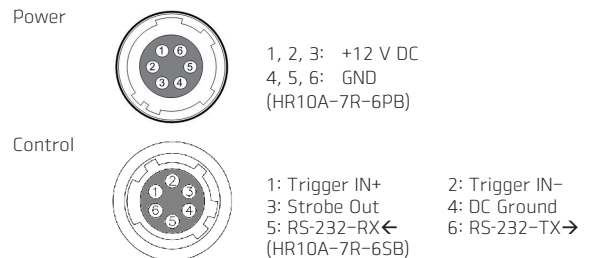
VX-25MG



Ordering Scheme



Connector Specification



Connectors on camera body

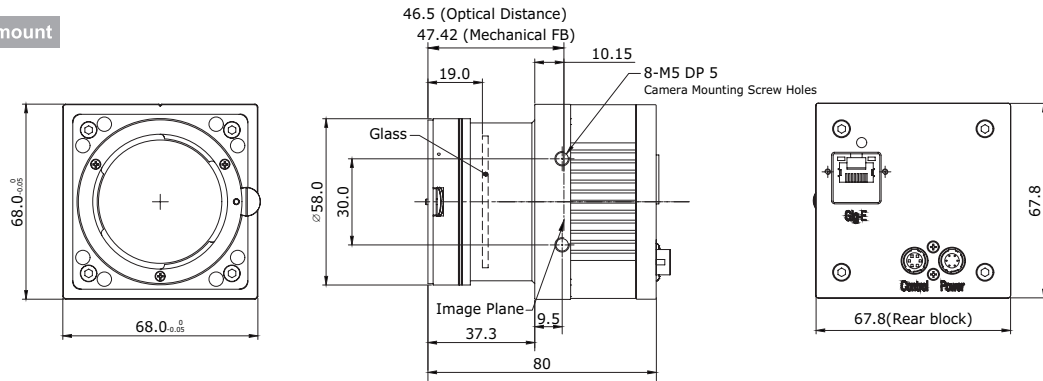
VX-25MG-M 5

Aerial Imaging / Surveillance Camera

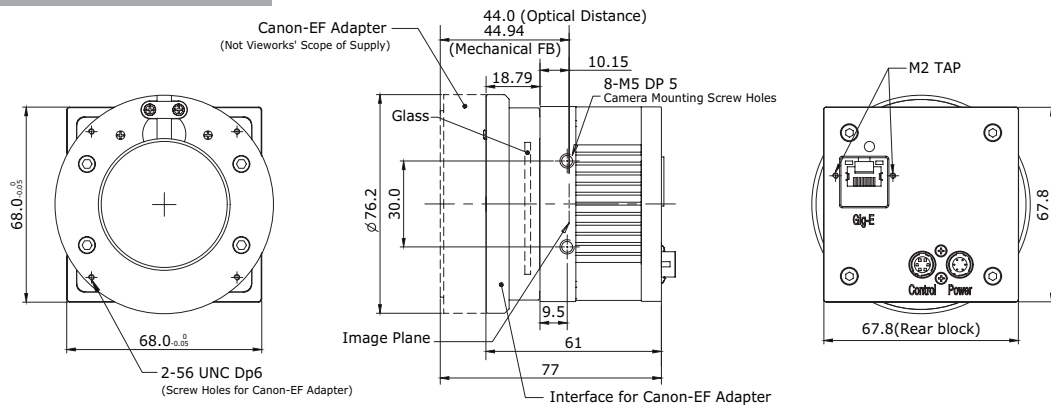
Mechanical Dimensions

Unit: mm

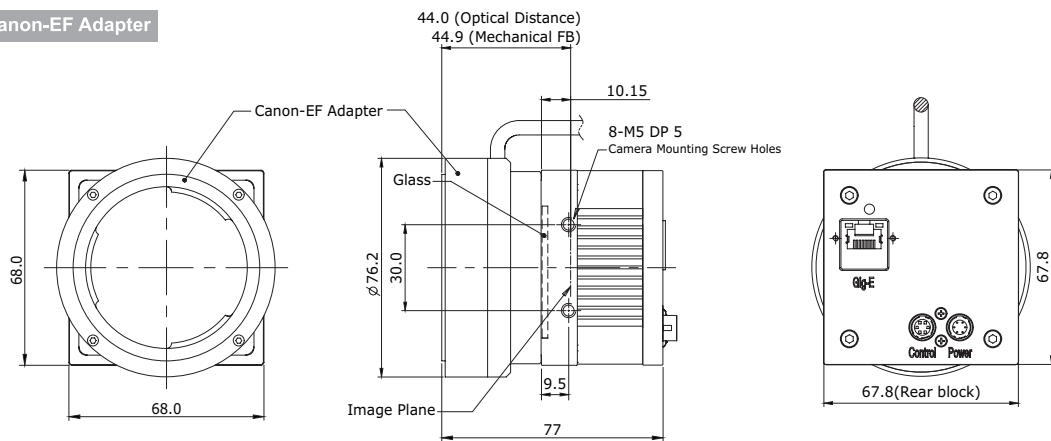
VX-25MG F-mount



VX-25MG Interface for Canon-EF Adapter



VX-25MG Canon-EF Adapter



*. Vieworks does not provide a Canon-EF Adapter (Birger Mount).