

VZ-5MU-M/C 79H

Industrial Digital Cameras with USB3.0 Interface



USB[®]
VISION
GEN<i>i>CAM

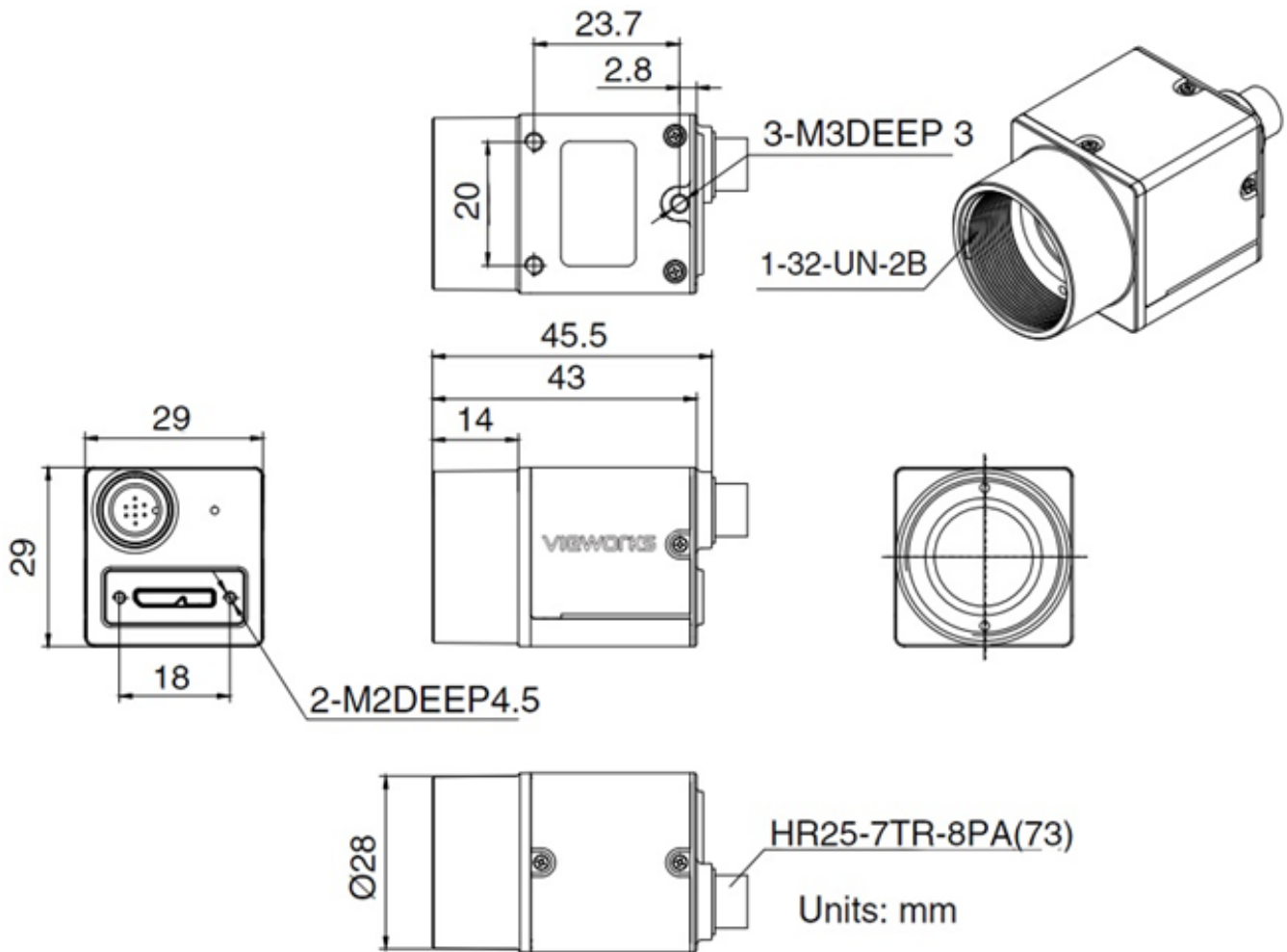
VZ-5MU-M/C 79H is a monochrome/color USB3.0 Vision camera with the Sony IMX250 CMOS sensor. Thanks to the extremely compact design (29mm x 29mm x 29mm), robust metal housings and locking screw connectors, the VZ-5MU-M/C 79H camera has an outstanding price and performance ratio. VZ-5MU-M/C 79H is ideal for machine vision applications such as industrial inspection, medical, scientific research, education, security and so on.

VZ-5MU-M/C 79H

Industrial Digital Camera with GigE Interface

Mechanical Dimensions

Unit: mm



VZ-5MU-M/C 79H

Industrial Digital Camera with GigE Interface

Main Features

- Trigger mode: Frame Start / Frame Burst Start
- Programmable LUTs and User Set Control
- Sequencer Control
- 16KB data storage area for saving algorithm coefficients and parameter configuration
- 512KB ROM area for storing large amounts of data and files
- Support Timer and Counter
- Support Remove Parameter Limit to expand the range of exposure, gain, white balance, etc.
- Compatible with GenICam™ and USB3 Vision®

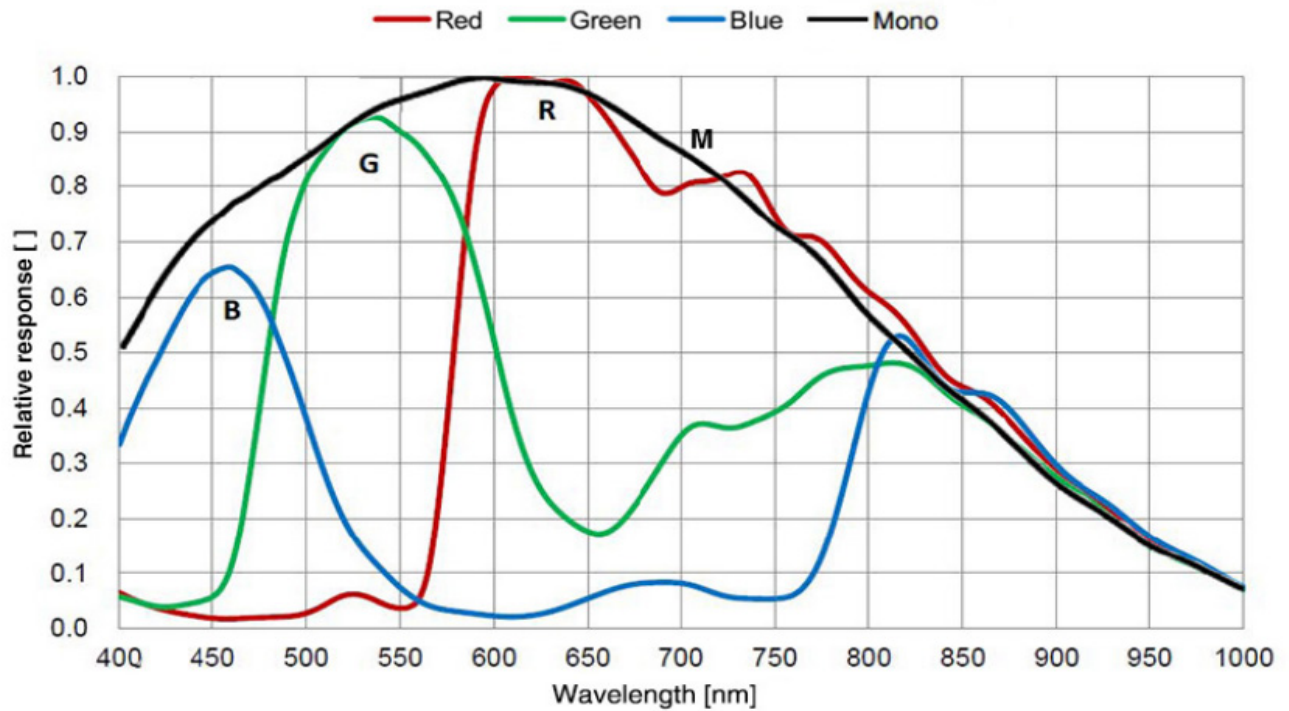
Applications

- Industrial Inspection
- Medical Research
- Scientific Research
- Education
- Security

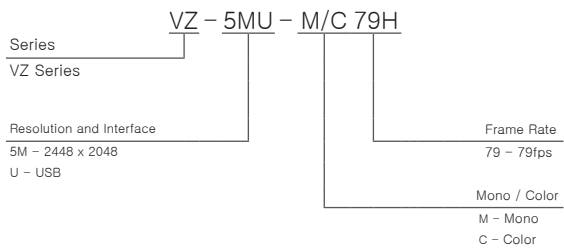
Specifications

Model	VZ-5MU-M/C 79H00	
Resolution (H x V)	2448 x 2048	
Sensor	Sony IMX250 Global Shutter CMOS	
Pixel Size	3.45 μm x 3.45 μm	
Data Interface	USB 3.0	
Frame Rate	79.1fps@2448 x 2048	
ADC Bit Depth	10 bit	
Pixel Bit Depth	8 bit, 10 bit	
Exposure Time	UltraShort: 1 μs ~100 μs , Actual Steps: 1 μs Standard: 20 μs ~ 1 s, Actual Steps: 1 row period	
Gain	0dB ~ 24dB, Default: 0dB, Steps: 0.1dB	
Mono / Color	Color	Mono
Pixel Formats	Bayer RG8, Bayer RG10	Mono8, Mono10
Single Noise Ratio	40.58dB	40.65dB
Synchronization	Hardware trigger, Software trigger	
I/O	1 input and 1 output with opto-isolated, 2 programmable GPIOs	
Temperature	Operating: 0°C ~ 45°C, Storage: -20°C ~ 70°C	
Operating Humidity	10% ~ 80%	
Power Requirements	5 VDC via USB cable	
Power Consumption	< 2.7W@5V	
Lens Mount	C	
Dimensions and Weight	29mm x 29mm x 29mm (without lens adapter or connectors), 65g	
Programmable Control	Image size, Gain, Exposure time, Trigger polarity, Flash polarity	
Conformity	CE, RoHS, FCC, USB3 Vision, GenICam, KC	

Spectral Response



Ordering Scheme



Connector Specification

Power/Control



- 1: Line0+ Opto-isolated input+
- 2: Ground GPIO GND
- 3: Line0- Opto-isolated input-
- 4: NC NC
- 5: Line2 GPO input/output
- 6: Line3 GPO input/output
- 7: Line1- Opto-isolated input-
- 8: Line1+ Opto-isolated input+

Connectors on camera body