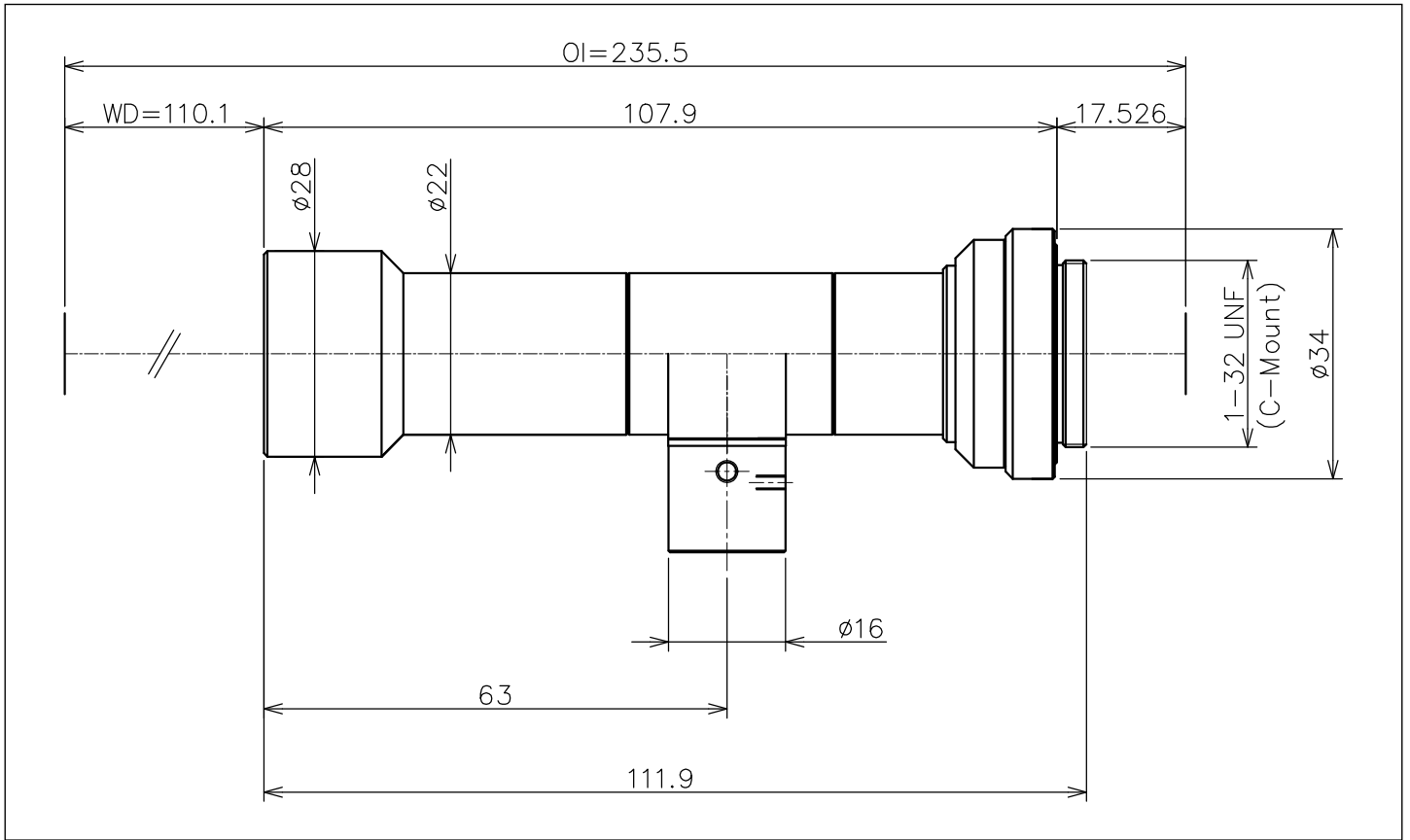


FT08C-110



Model	FT08C-110	
Application	Object side Telecentric Lens	
Magnification	0.8x	
W D	110.1mm	
O I	235.5mm	
F.NO	11.1	
Object side NA	0.036	
Resolution	9.3μ	
Depth of field	1.4mm	
TV Distortion	1/1.8"	0.00%
	2/3"	0.01%
Weight	-	
Image size	1/2" 1/1.8" 2/3"	
Mount	C Mount	

○Specifications mentioned above are design values.

○Resolution indicates a theoretical resolution at a wavelength of 550nm.

○Depth of field is calculating using 1/2" camera (permissible circle of confusion 40μ).

○Specifications and dimensions are subject to change without notice.