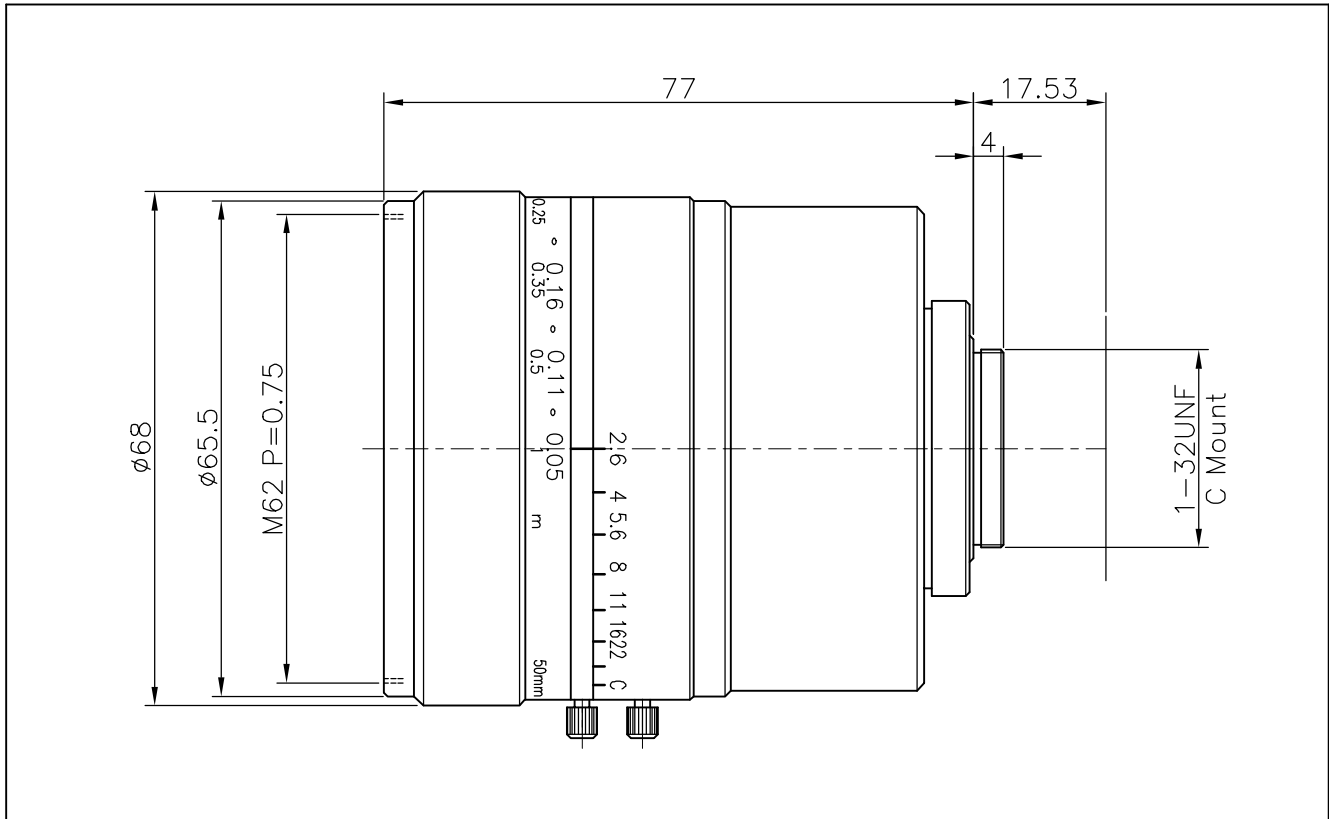


FV5026L-C



MODEL	FV5026L-C	
Application	Lens for Large image size	
Focal length	50mm	
F Number	1 : 2.6	
Range of WD	250mm~1000mm	
Resolution	200L/mm	
Optical Distortion	5150BIT	-
	2048BIT	-
	1inch	-0.03%
Weight	-	
Image size	-	
Mount	C Mount	