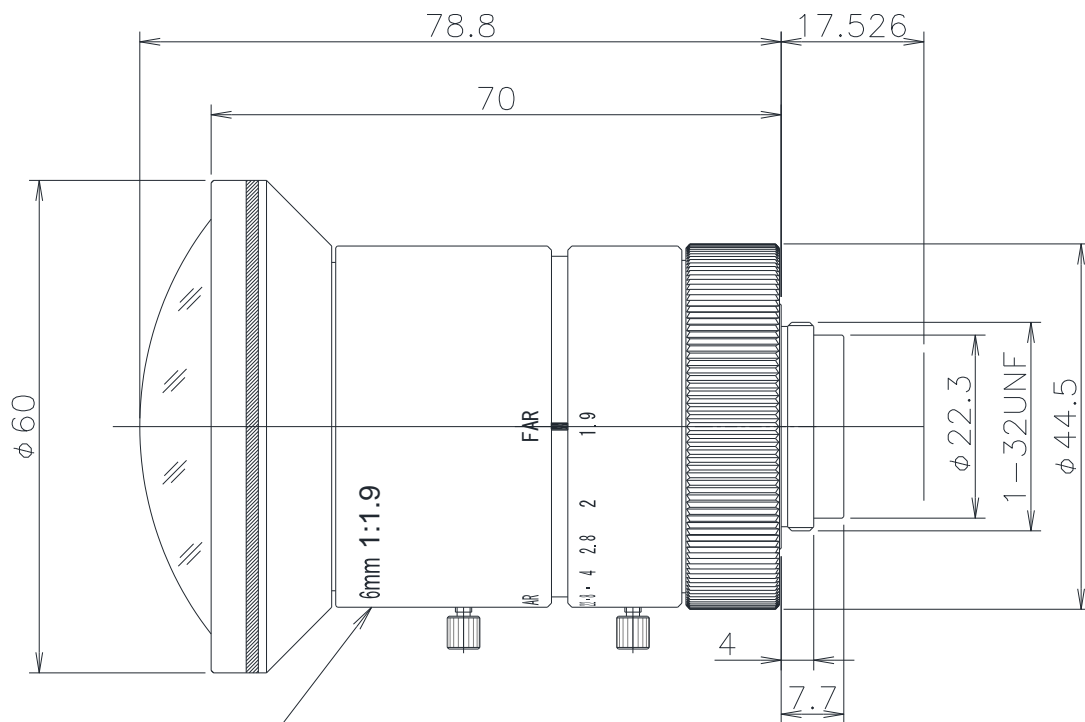


HS0619V-SW SWIR Fixed Focal Lens for 1"



MADE IN JAPAN



HS0619V-SW

6mm 1:1.9

UNIT:mm

Model	HS0619V-SW
Application	SWIR Fixed Focal Lens for 1"
Focal length	6mm
Maximum Object Magnification	0.05x
Range of WD	0.1m ~ ∞
∞ F No.	1.9
Angle of View (H × V) (1450nm) 4:3	94.1° × 77.5°
TV distortion (1450nm)	0.14%
Weight	Approx. 325 g
Image Format	1 "
Mount	C Mount
Filter Size	_____

°Specifications mentioned above are design values.

°Specifications and dimensions are subject to change without notice.