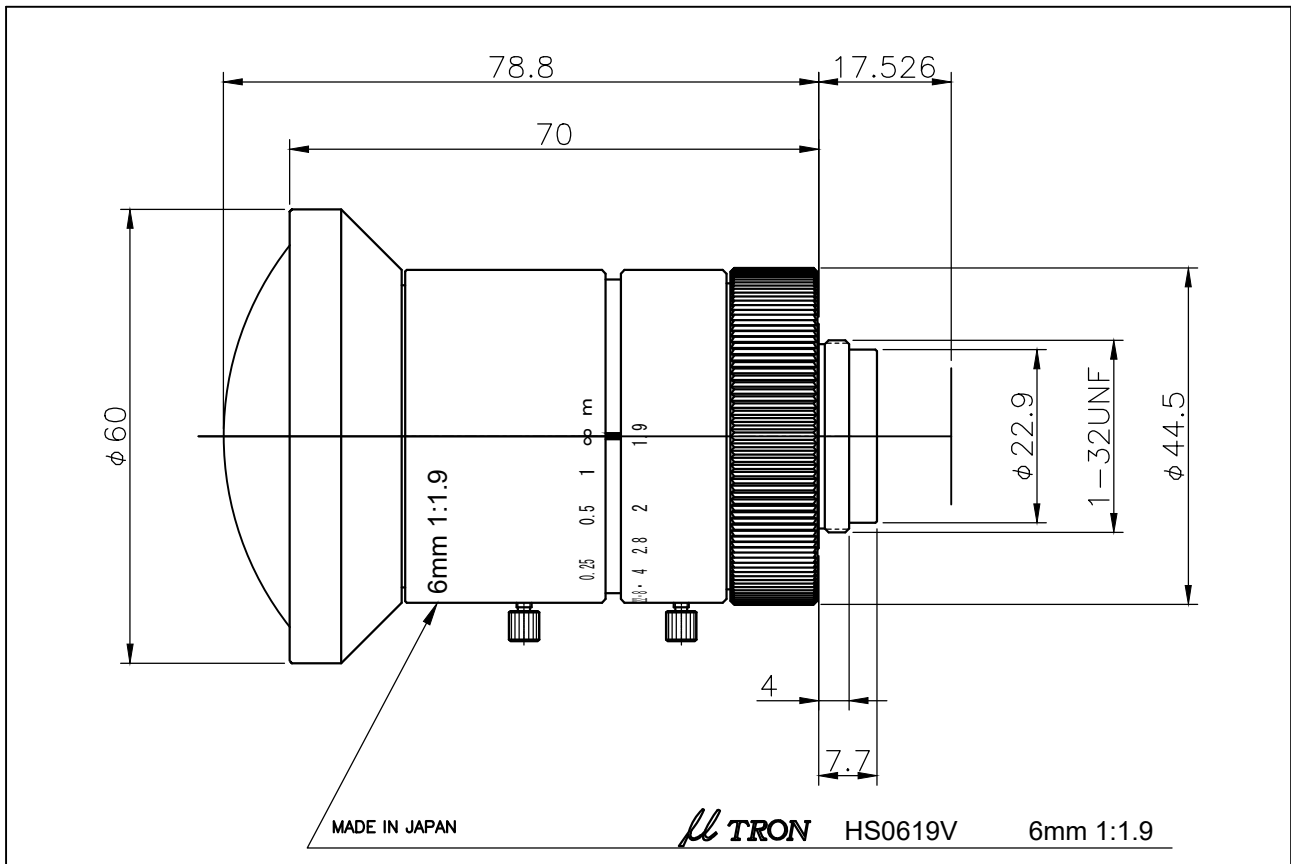


HS0619V



Model No.		HS0619V
Application		4 Mega pixel CCTV Cameras for 1
Focal Length		6mm
Magnification at MOD		0.05X
Object Distance		100mm~INF
F No.		F1.9 (∞)
ANGULAR FIELD OF VIEW (HXV)	1	94.7°×78.1°
	2/3	73.0°×57.4°
	1/2	55.9°×43.0°
TV Distortion	1	0.83%
	2/3	-0.72%
	1/2	-0.51%
Weight		325g
CCD		1
Mount		C-Mount
Filter Size		---