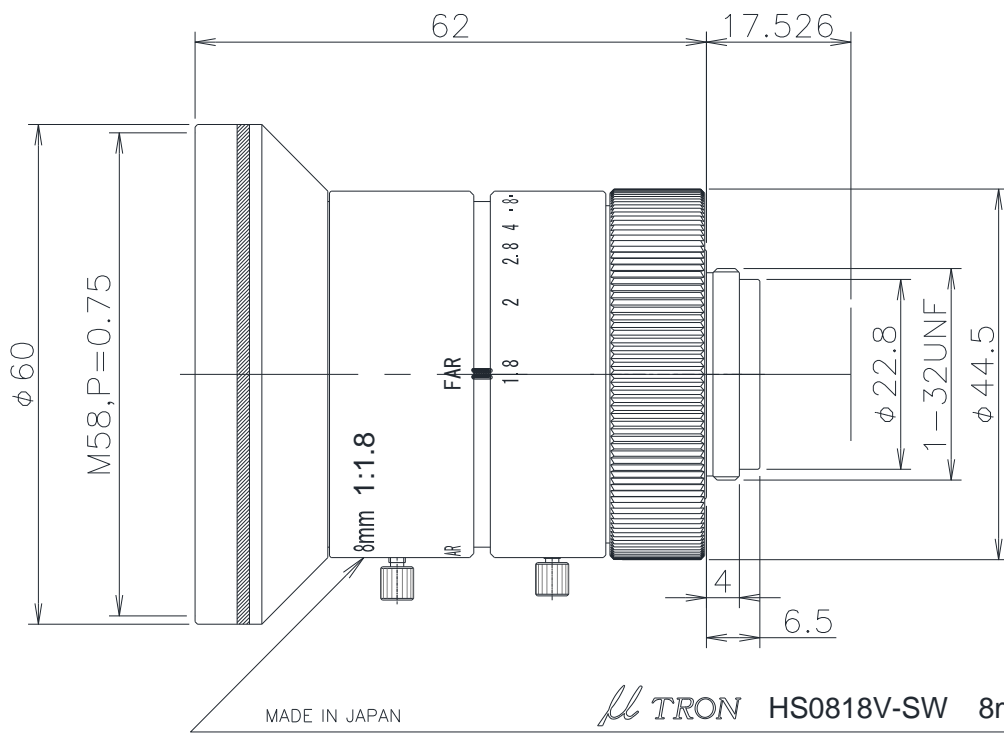


# HS0818V-SW SWIR Fixed Focal Lens for 1"



UNIT:mm

Model	HS0818V-SW
Application	SWIR Fixed Focal Lens for 1"
Focal Length	8mm
Maximum Object Magnification	0.07x
Range of WD	0.1m ~ $\infty$
$\infty$ F No.	1.8
Angle of View (H x V) (1450nm) 4:3	77.0° x 61.0°
TV distortion (1450nm)	-0.52%
Weight	Approx. 250 g
Image Format	1"
Mount	C Mount
Filter Size	M58 X 0.75

◦Specifications mentioned above are design values.

◦Specifications and dimensions are subject to change without notice.