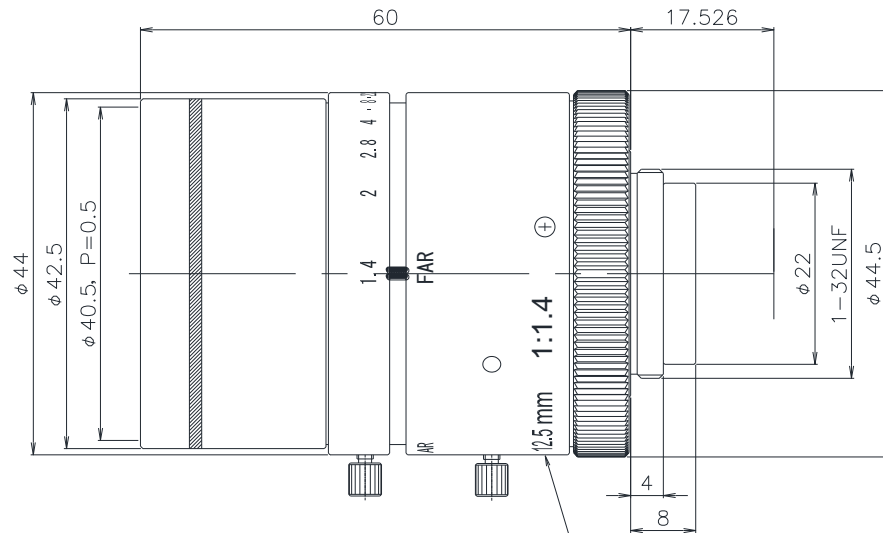


HS1214V-SW SWIR Fixed Focal Lens for 1"



MADE IN JAPAN *u·TRON* HS1214V-SW 12.5mm 1:1.4

UNIT:mm

Model	HS1214V-SW
Application	SWIR Fixed Focal Lens for 1"
Focal Length	12.5mm
Maximum Object Magnification	0.04x
Range of WD	0.3m ~ ∞
∞ F No.	1.4
Angle of View (H × V) (1450nm) 4:3	54.2° × 41.5°
TV distortion (1450nm)	-1.06%
Weight	Approx. 190 g
Image Format	1 "
Mount	C Mount
Filter Size	M40.5 X 0.5

◦Specifications mentioned above are design values.

◦Specifications and dimensions are subject to change without notice.