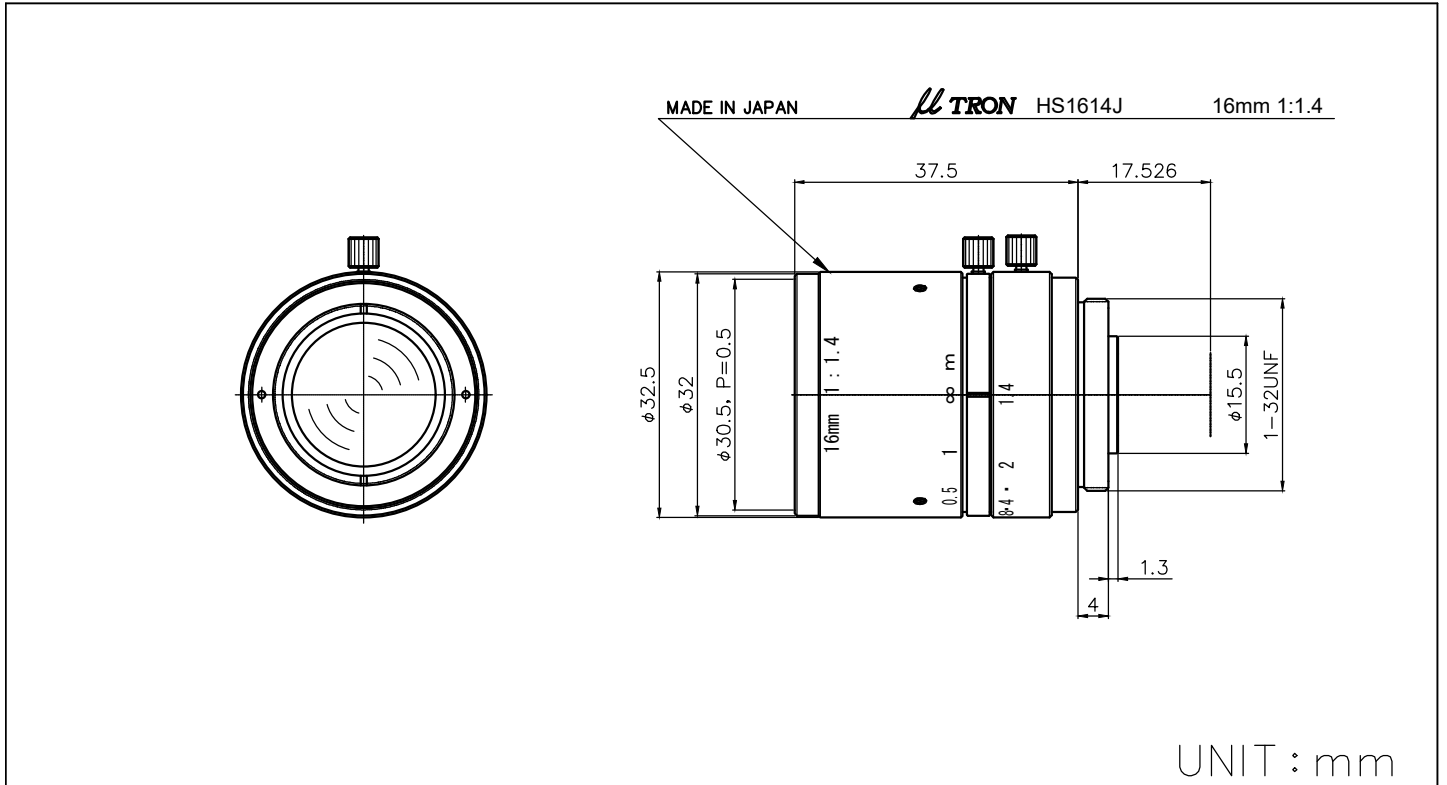


# HS1614J



UNIT : mm

Model No.	HS1614J	
Application	3 Mega Pixel Fixed Focal Lens	
Focal Length	16mm	
F No.	1.4	
Angle of View (V×H)	30°×23°	
Image Format	8.8mm×6.6mm (φ11mm)	
Minimum Object Distance	0.2m	
Mount	C-Mount	
Flange Back	17.526mm	
Filter Size	φ30.5mm P=0.5	
Size	φ32.5mm×37.5mm	
Weight	72.5g	
TV Distortion	1/3	-0.05%
	1/2	-0.08%
	2/3	-0.14%

※Indicated specifications are design values.