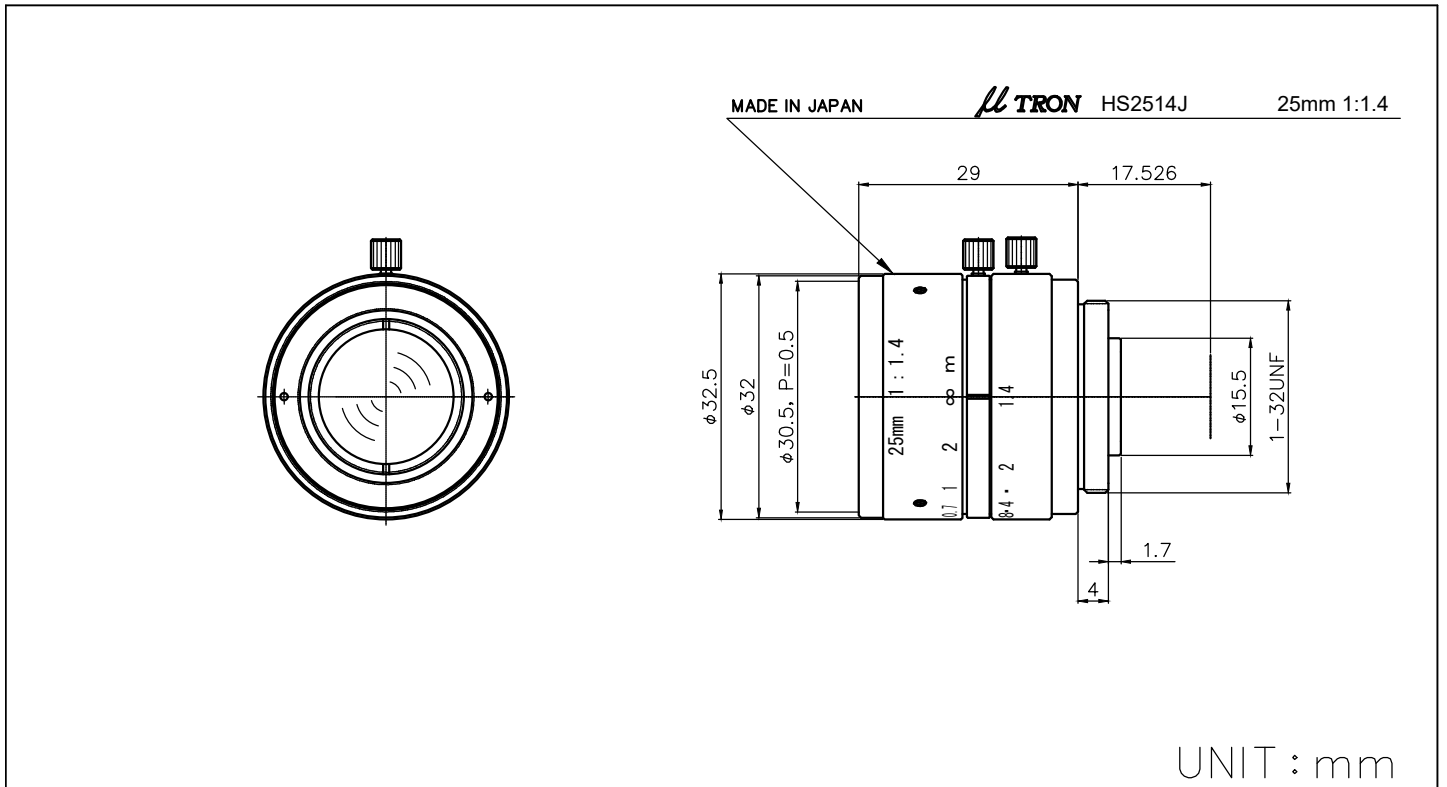


HS2514J



Model No.	HS2514J	
Application	3 Mega Pixel Fixed Focal Lens	
Focal Length	25mm	
F No.	1.4	
Angle of View (V×H)	19°×15°	
Image Format	8.8mm×6.6mm (φ11mm)	
Minimum Object Distance	0.3m	
Mount	C-Mount	
Flange Back	17.526mm	
Filter Size	φ30.5mm P=0.5	
Size	φ32.5mm×29mm	
Weight	57.5g	
TV Distortion	1/3	-0.02%
	1/2	-0.05%
	2/3	-0.12%

※Indicated specifications are design values.