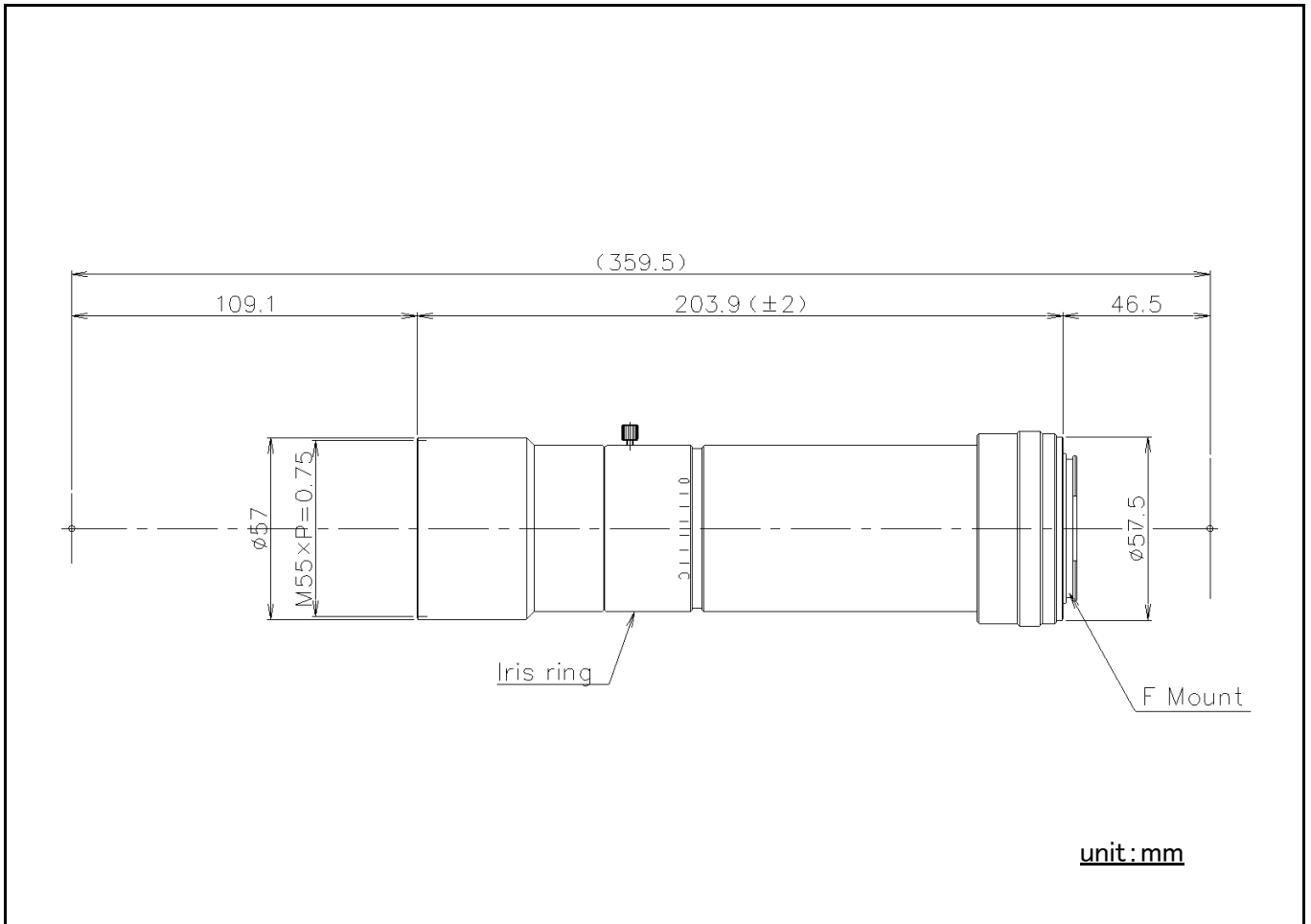


# LSTL15H-F

## Large Format Telecentric Lens



Model	LSTL15H-F	
Magnification	1.5x	
WD	109.1mm	
OI	359.5mm	
Effective F No.	7.86	
Object side NA	0.095	
Object side Resolution	3.53 $\mu$ m	
Depth of Field	0.28mm	
TV Distortion	Y=22	0.02%
Weight	-	
Maximum Compatible Sensor	$\phi 44$	
Mount	F mount	

- Specifications mentioned above are design values.
- Resolution indicates a theoretical resolution at a wavelength of 550nm.
- Depth of field is calculated assuming permissible circle of confusion is 40 $\mu$ m.
- Specifications and dimensions are subject to change without notice.