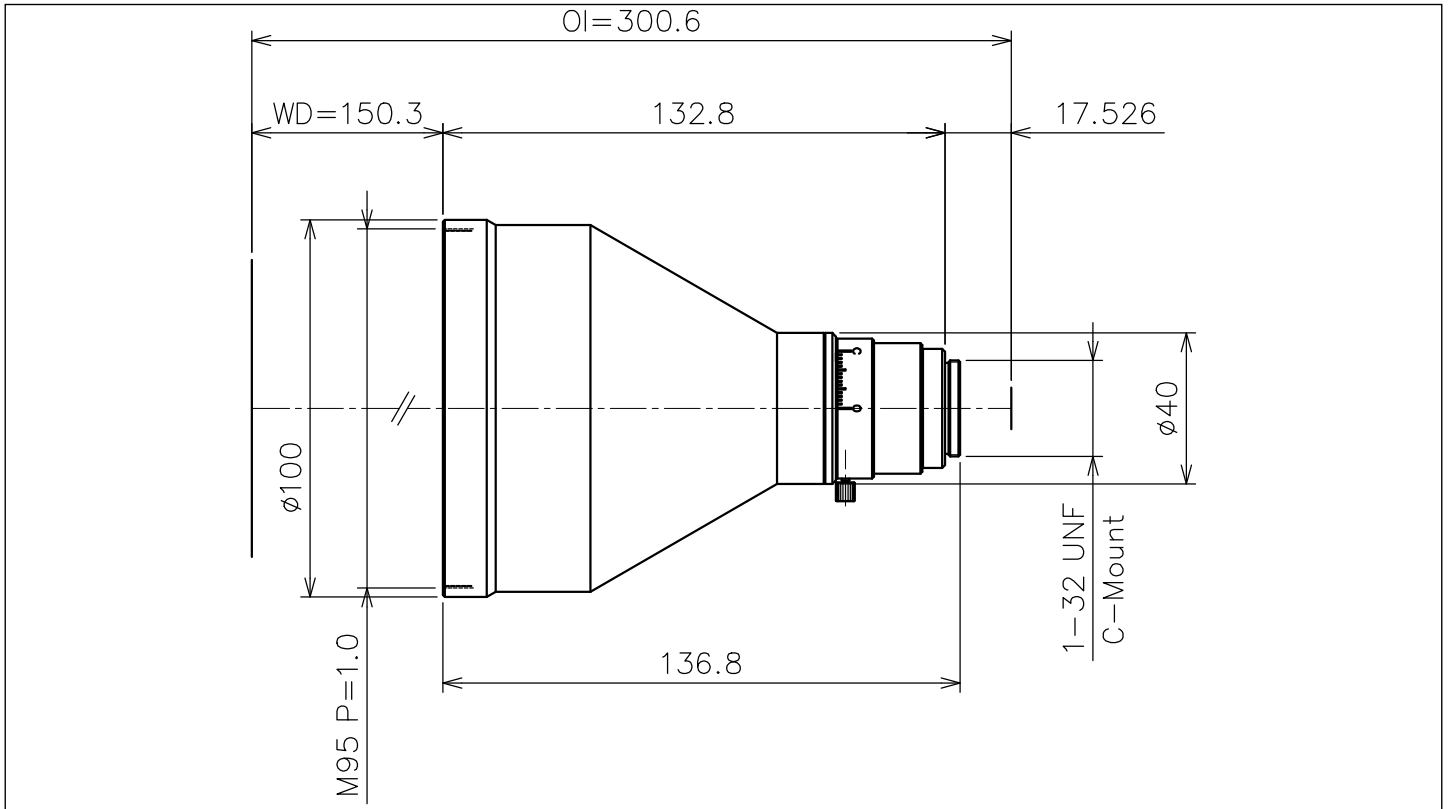


MGTL014VM



Model	MGTL014VM	
Application	Bi - Telecentric Lens	
Magnification	0.14x	
W D	150.3mm	
O I	300.6mm	
F No.	4.3	
Object side NA	0.016	
Object side Resolution	20.5 μ m	
Depth of Field	17.5mm	
Optical Distortion	1 / 1.8"	0.00%
	2 / 3"	0.00%
TV Distortion	1 / 1.8"	0.00%
	2 / 3"	0.01%
Weight	-	
Max Compatible CCD	2 / 3" (ϕ 11)	
Mount	C Mount	

- Specifications mentioned above are design values.
- Resolution indicates a theoretical resolution at a wavelength of 550nm.
- Depth of field is calculating using 1/2" camera (permissible circle of confusion 40 μ).
- Specifications and dimensions are subject to change without notice.