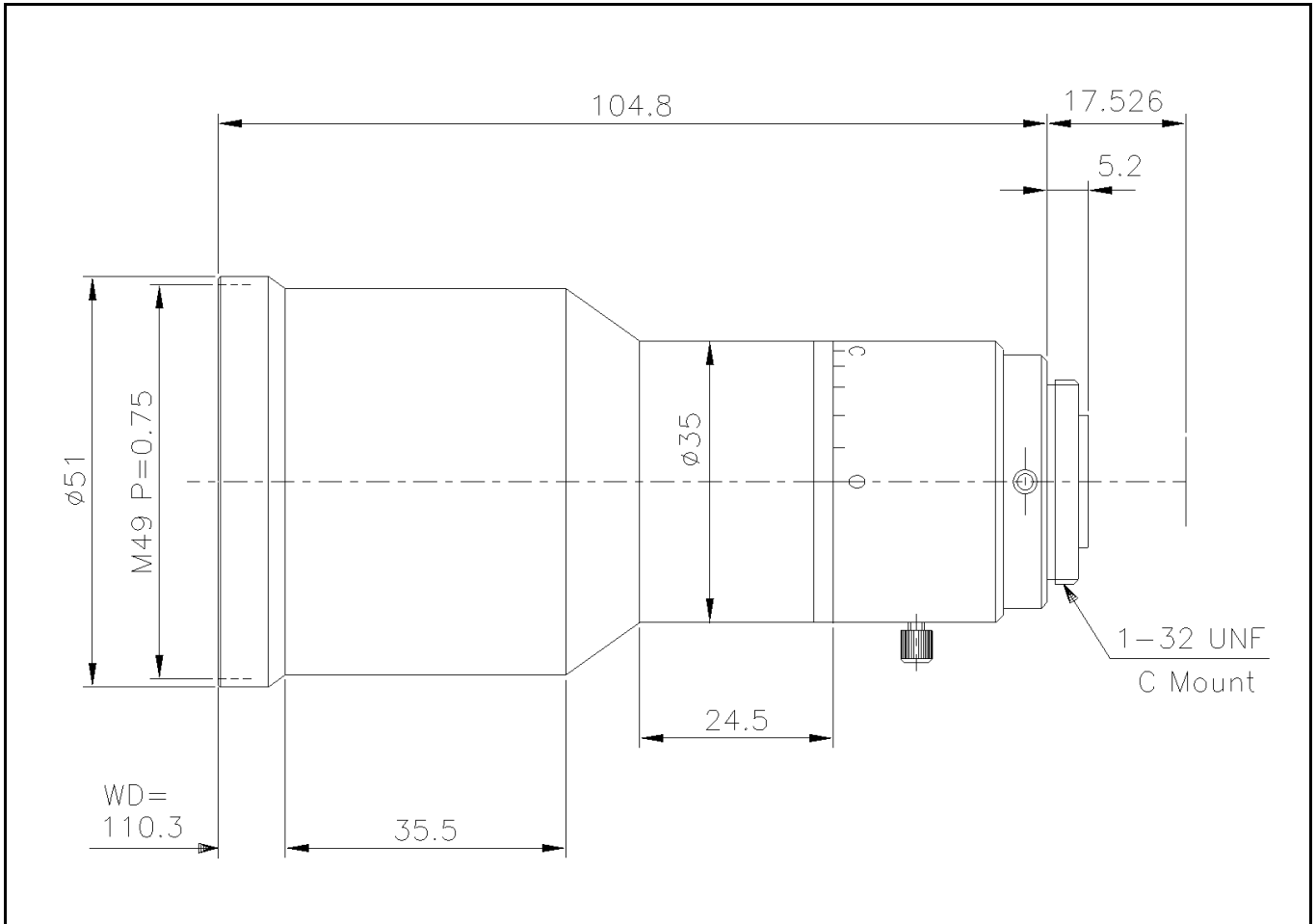


MGTL03



Model	MGTL03	
Lens Type	Object side Telecentric Lens	
Magnification	0.3x	
WD	110.3mm	
OI	232.6mm	
Effective F No.	7.0	
Object side NA	0.021	
Object side Resolution	17.3 μ m	
Depth of Field	6.2mm	
TV Distortion	2/3 inch	0.05%
	1/2 inch	0.00%
	1/3 inch	0.00%
Weight	Approx. 290g	
Image Size	2/3 inch	
Mount	C mount	
Filter Size	M49	

- Specifications mentioned above are design values.
- Resolution indicates a theoretical resolution at a wavelength of 550nm.
- Depth of field is calculated assuming permissible circle of confusion is 40 μ m.
- Specifications and dimensions are subject to change without notice.