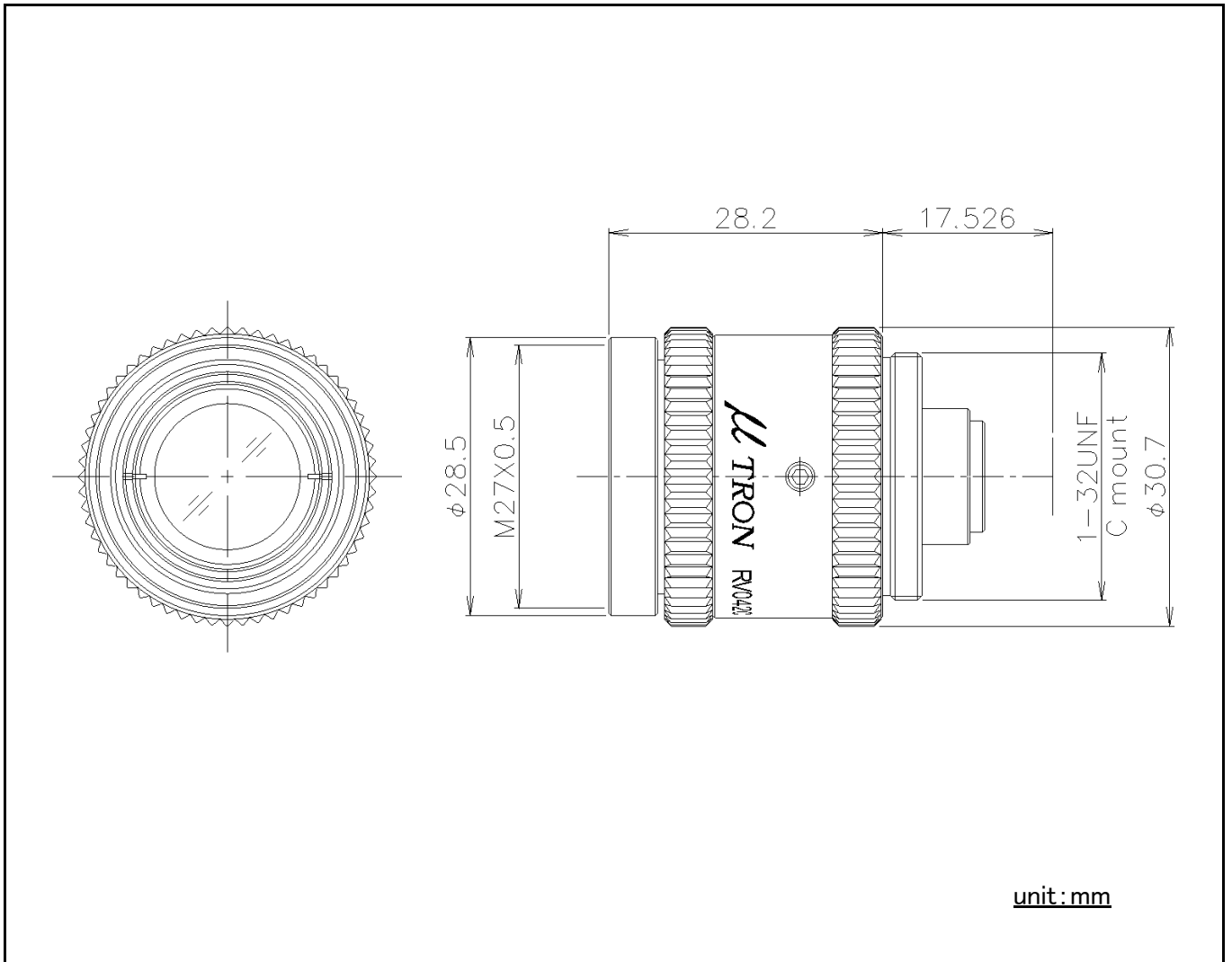


# RV0420

# Resistance against vibration Lens



Model	RV0420
Application	Resistance against vibration Lens
Focal length	4mm
Maximum Object Magnification	0.038x
Range of WD	0.1m - $\infty$
Effective F No.	F2, F4, F5.6, F8 (choice)
TV distortion	0.91%
Angle of view (H x V)	75.24° x 59.96°
Image Format	1/2"
Weight	Approx. 43g
Mount	C mount
Filter Size	M27X0.5

◦Specifications mentioned above are design values.

◦Specifications and dimensions are subject to change without notice.