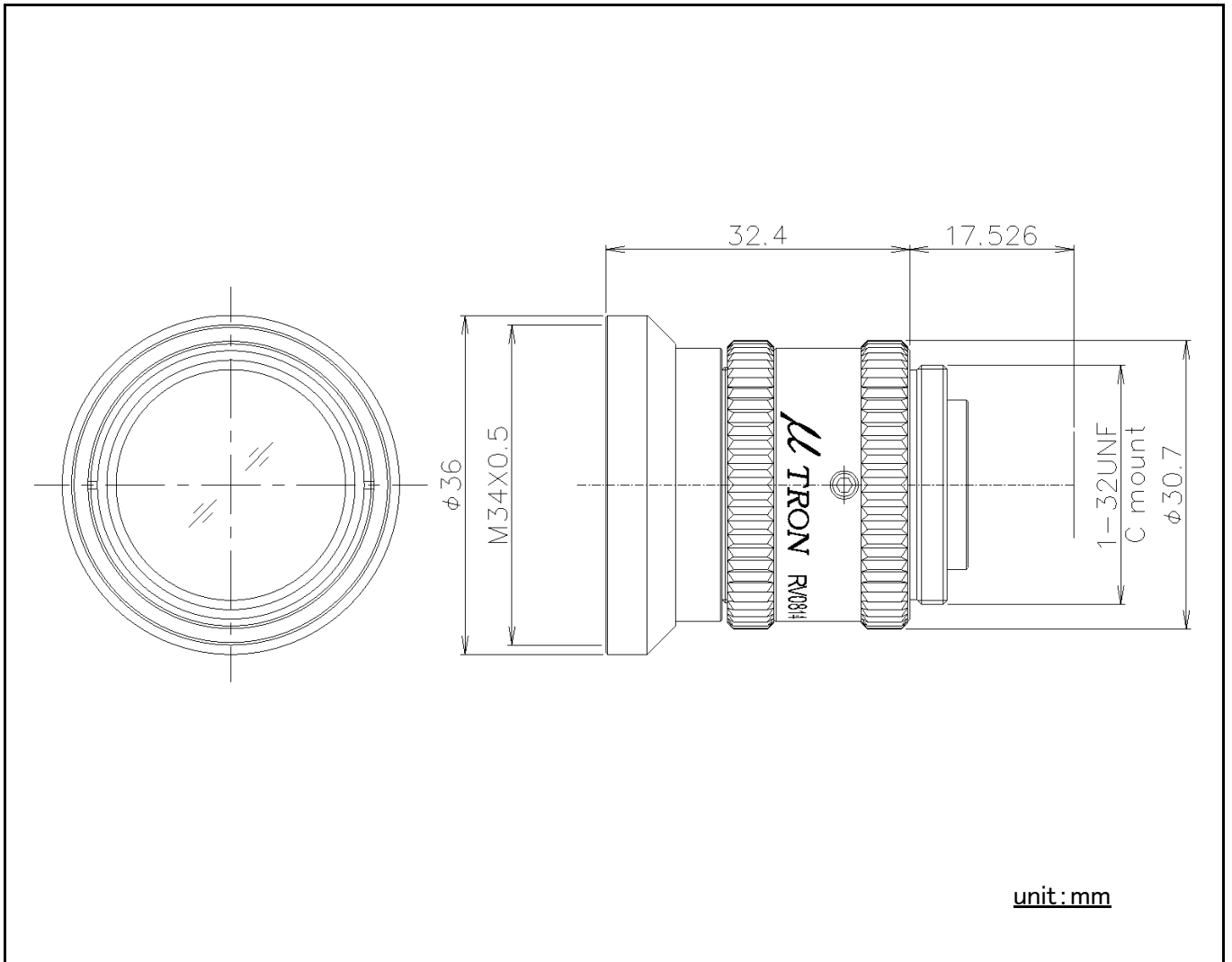


RV0814

Resistance against vibration Lens



Model	RV0814
Application	Resistance against vibration Lens
Focal length	8mm
Maximum Object Magnification	0.074x
Range of WD	0.1m - ∞
Effective F No.	F1.4, F4, F5.6, F8(choice)
TV distortion	0.83%
Angle of view (H x V)	56° x 44°
Image Format	2/3"
Weight	Approx. 54g
Mount	C mount
Filter Size	M34X0.5

◦Specifications mentioned above are design values.

◦Specifications and dimensions are subject to change without notice.