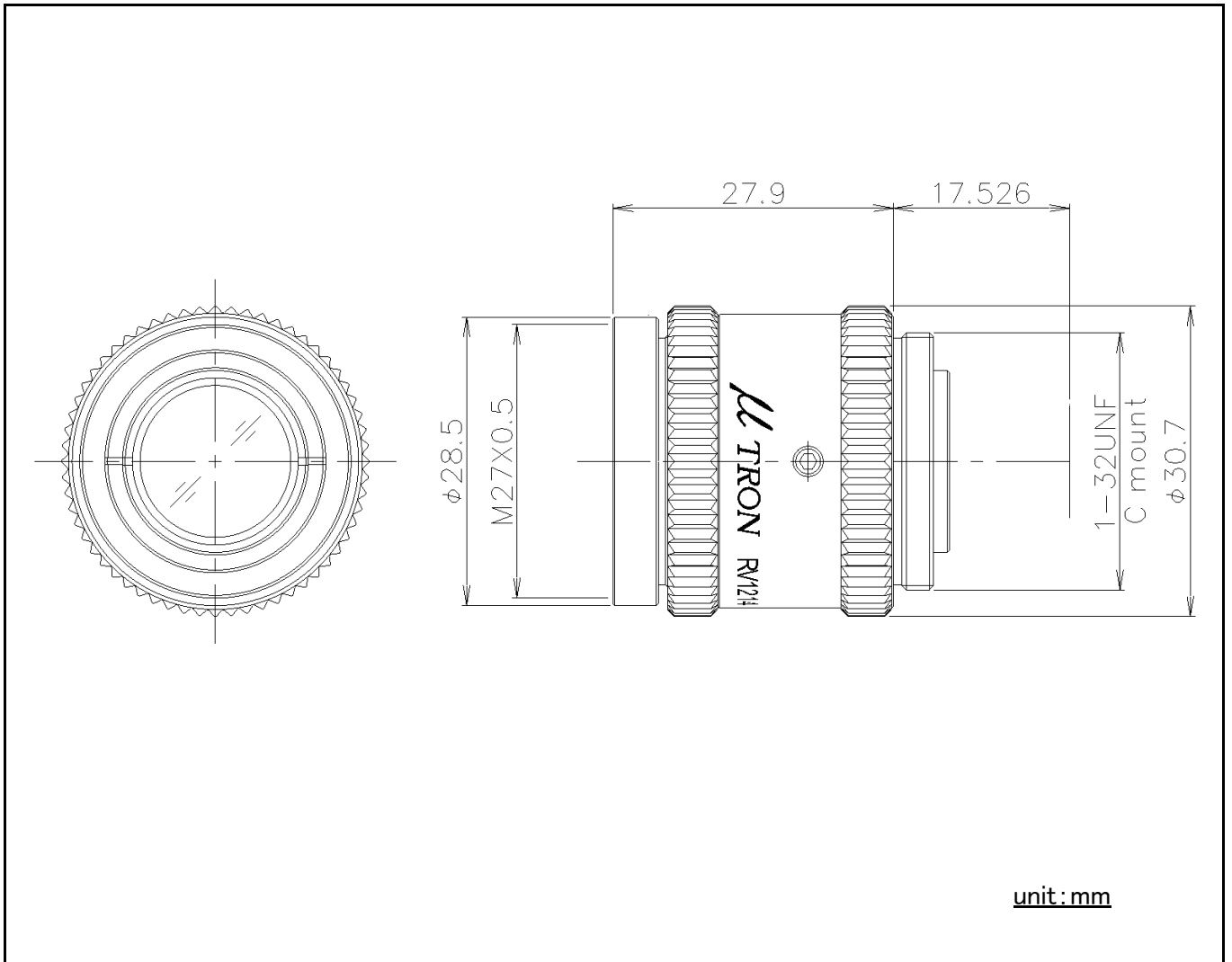


RV1214

Resistance against vibration Lens



Model	RV1214
Application	Resistance against vibration Lens
Focal length	12mm
Maximum Object Magnification	0.08x
Range of WD	0.15m - ∞
Effective F No.	F1.4, F4, F5.6, F8(choice)
TV distortion	-0.12%
Angle of view (H x V)	39° x 30°
Image Format	2/3"
Weight	Approx. 42g
Mount	C mount
Filter Size	M27X0.5

◦Specifications mentioned above are design values.

◦Specifications and dimensions are subject to change without notice.