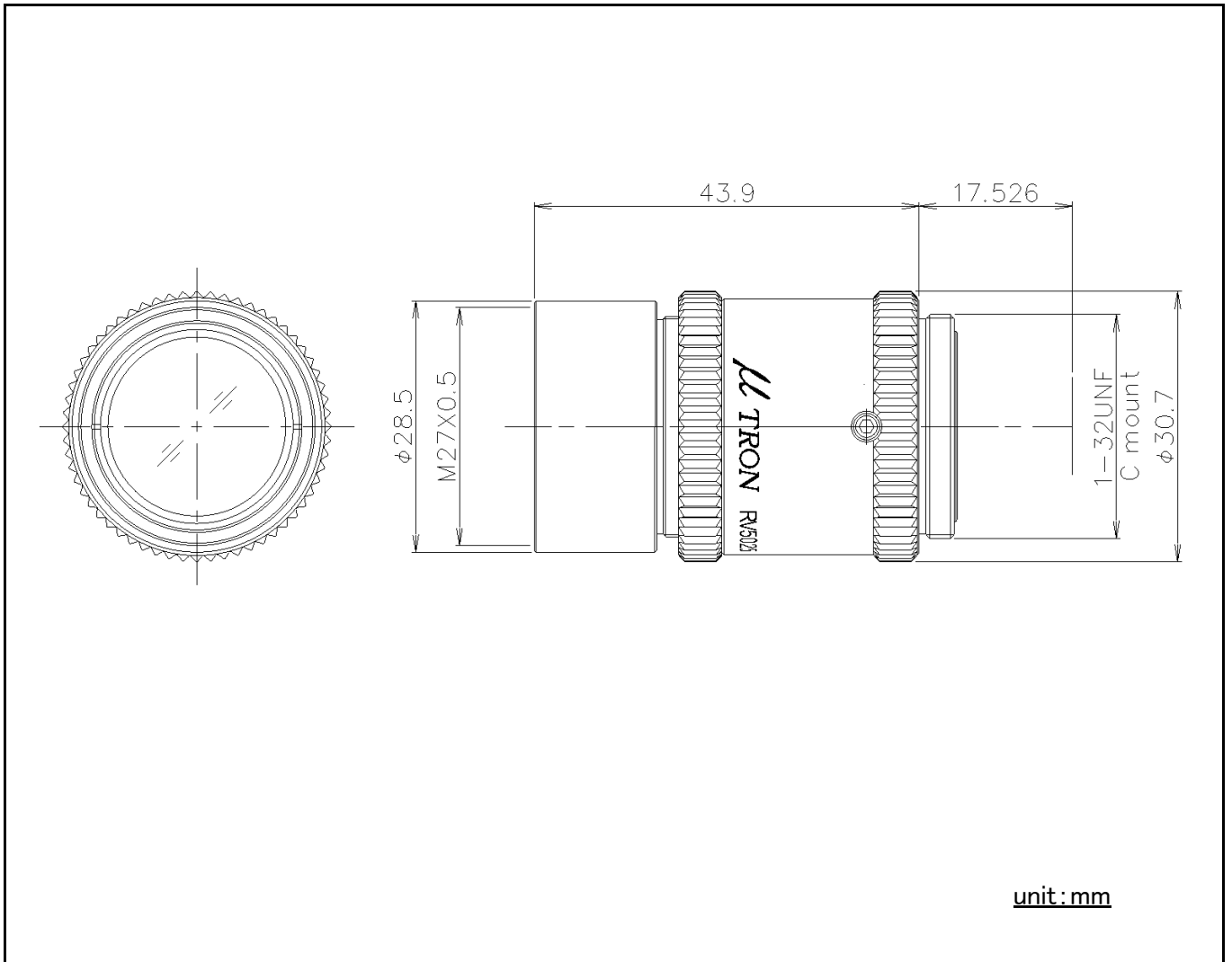


RV5025

Resistance against vibration Lens



Model	RV5025
Application	Resistance against vibration Lens
Focal length	50mm
Maximum Object Magnification	0.13x
Range of WD	0.4m - 1m
Effective F No.	F2.5, F4, F5.6, F8(choice)
TV distortion	0.03%
Angle of view (H x V)	10.38° x 7.82°
Image Format	2/3"
Weight	Approx. 63g
Mount	C mount
Filter Size	M27X0.5

◦Specifications mentioned above are design values.

◦Specifications and dimensions are subject to change without notice.